

TRIPOD MOBILITY WHEELCHAIR ACCESSIBLE VEHICLES



CITROËN
e-Berlingo XL

PEUGEOT
e-Rifter Long

OPEL
Combo-e Life

FIAT
e-Doblo

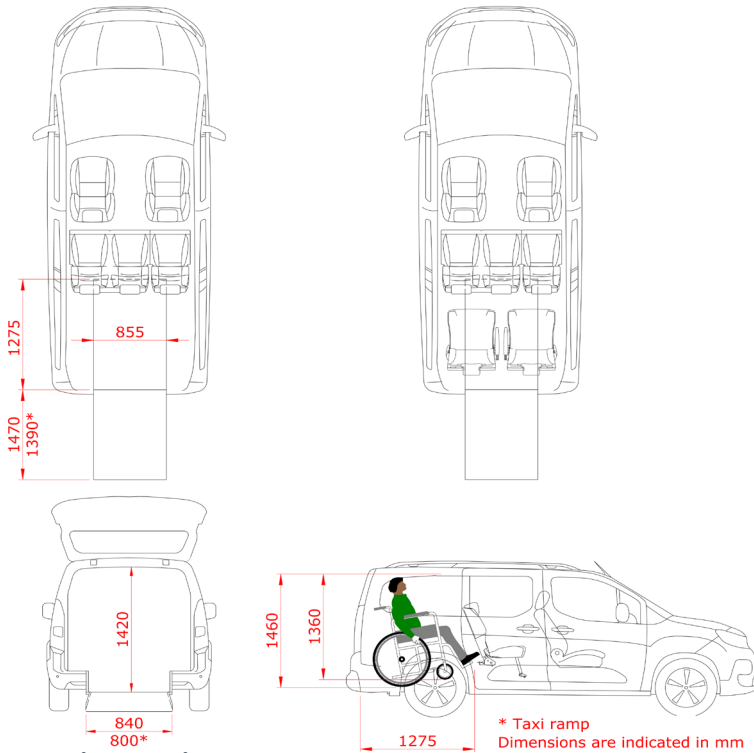


ELECTRIC WAV

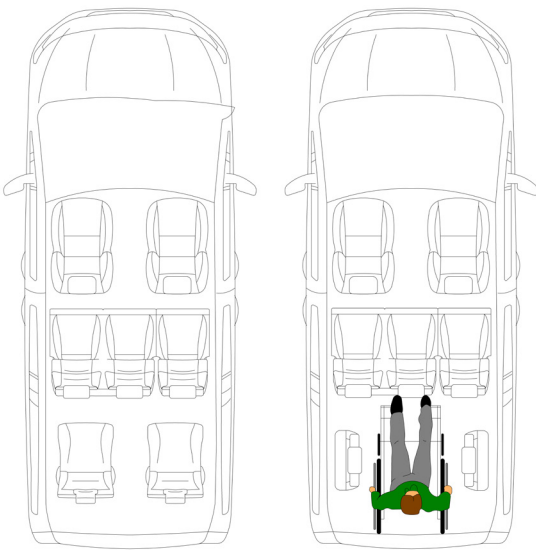
Wheelchair Accessible Vehicles are now also available in electric powered models. A reliable family car with a wide range of seating options, optimal space and visibility for wheelchair passenger all whilst helping the environment!

BROCHURE

Measurements



Seating options



Standard conversion

- Lowered floor from rear up to 2nd row fully covered with matching upholstery.
- 4-point wheelchair tie-down system with an adjustable 3-point seatbelt for the wheelchair user.
- LED lights at the entrance by the rear hatch for better visibility.
- New rear coil springs to improve driving experience.
- The centre part from the rear bumper will be replaced on the hatch therefore, maintaining the original look.

Options

- One or two TriflexAIR seats on the 3rd row.*
 - Restore functionality of original parking sensors.
 - Taxi ramp which creates a flat loading floor.
- *3rd row TriflexAIR seats are not always possible. Please check the Commercial Limitations document or contact your WAV dealer.
- 50kWh lithium-ion battery offers a range of between 152-182 miles (WLTP test cycle - range dependent on use and driving style).
 - To optimise the vehicle's driving range, regenerative braking recovers energy during braking or under deceleration.

TRIPOD MOBILITY WHEELCHAIR ACCESSIBLE VEHICLES



CITROËN

ë-SpaceTourer XL/
Jumpy Combi XL



PEUGEOT

e-Traveller Long/
Expert Combi Long



OPEL

Vivaro-e Life L3/
Zafira Life L3



FIAT

e-Ulysse L3/
Scudo L3

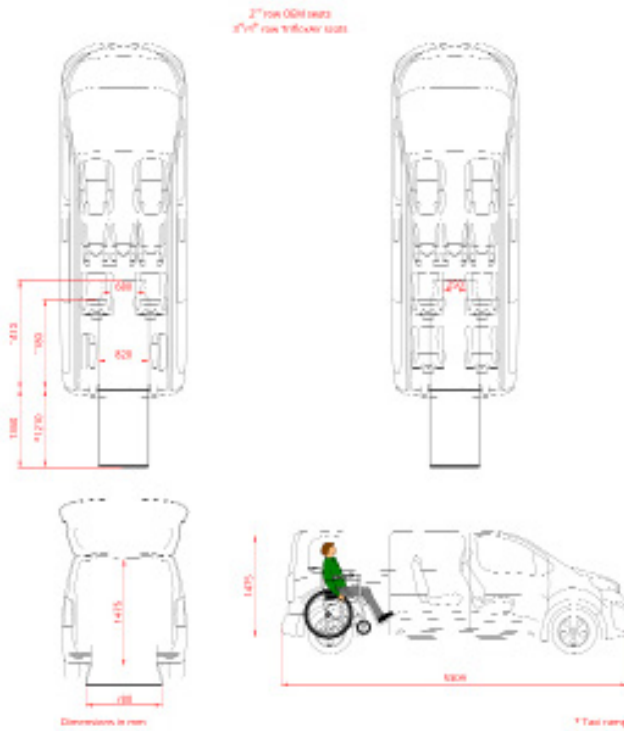


ELECTRIC WAV

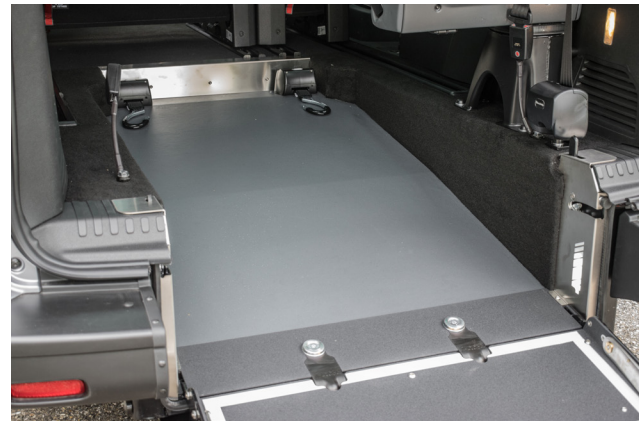
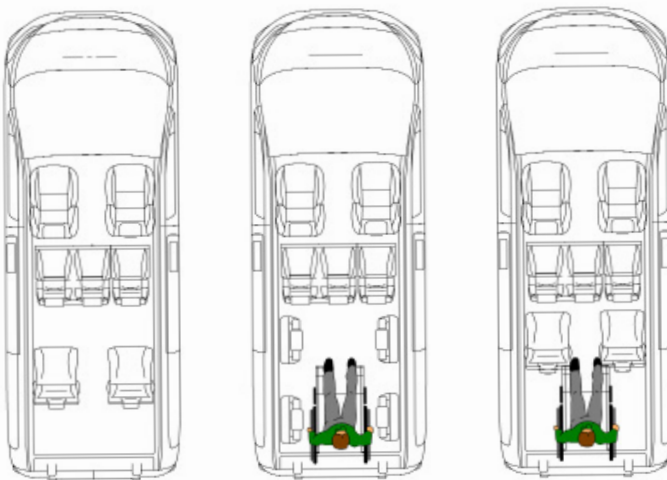
Wheelchair Accessible Vehicles are now also available in electric powered models.
The L3-SF size model is perfect for families or public transport.
This conversion is user-friendly, safe, comfortable and helps the environment!

BROCHURE

Measurements



Seating options



Standard conversion

- Spacious lowered floor up to the second row fully covered with matching upholstery.
- 4-point wheelchair tie-down system with an adjustable 3-point seatbelt for the wheelchair user.
- Foldable taxi ramp which creates a flat loading floor.
- LED lights at ramp entrance for better visibility.
- Centre part or the rear bumper will be replaced on hatch to maintain original design.
- Original bench on the second row re-installed after conversion.

Options

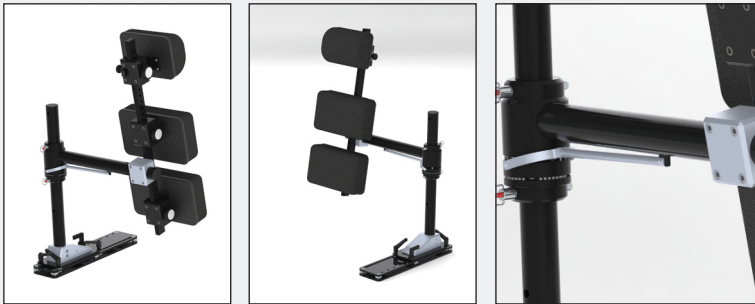
- One or two TriflexAIR foldable swivel seats on third and/or fourth row.
- Original parking sensors remain functional after conversion.
- 50/75 kWh lithium-ion battery offers a range of between 144/ 206 miles (WLTP Test cycle - range dependent on use and driving style).
- To optimize the vehicle's driving range, regenerative braking recovers energy during braking or under deceleration.

Options

For each vehicle there are many optional extras available. Contact your dealer to discuss what options best suit your needs.

Safety

Tripod Mobility values your safety above all. All of our conversions have been fully tested under European Type Approvals.



BodyGuard

Designed to offer the same protection to the wheelchair user a good car seat would

- back and neck support
- suitable for every car
- easily foldable
- safety tested

TriflexAIR seats

- One of the slimmest and lightest swivel seats available.
- Extra comfort due to the high quality filling and breathable upholstery.
- Foldable and can be swiveled out of the way to make room for the wheelchair.
- M1 Approved & tested according to the highest safety standards.
- ISOFIX attachment points for child safety seats.



Taxi ramp

- Ramp that folds flat into the boot allowing for flexible use of the boot space.
- For wheelchair user when in vertical position.
- Easy access to baggage when folded down, holds up to 80kg.
- Clear rear view when folded down.
- Tested according to regulation ECE-R11.

Disclaimer; prices and descriptions are based on the information available during publication and are valid until further notice. We cannot guarantee the correctness and completeness of the information given and therefore do not accept liability.