

AUTOLIFT™



TWIN-ARM LIFTS

*“There’s a multitude of ways to lift something, the key is how you lift it.  
Autolift... The lifts”*

## WELCOME TO AUTOLIFT

Autolift S.r.l. is a young, dynamic company. With twenty years of experience in the lifting sector, the company has specialized in the production of equipment for wheelchair accessibility. Thanks to highly specialized staff, cutting-edge technologies and full range of products, Autolift S.r.l. can meet the market demand for motor vehicle outfitting to serve both private and public use clients.

The company's mission focuses on:

- Ongoing research to find the best solutions to eliminate the barriers to access and transport for people with disabilities.
- Development and engineering of special devices to cover the full range of requirements from our global clientele.
- Produce aids that comply with current regulations concerning the disabled, first aid and public transport.
- Offer prompt, efficient support that enables installers to provide their customers with impeccable service both during installation and after-sales (warranty, spare parts, support).
- An offering that can even meet the needs of people with disabilities to board trains, ships and aircraft as per European regulations.
- Compliance of all our products with CE markings and regulations on electromagnetic compatibility. Each product, whether a lift or access step, comes not only with the relative manuals, but also with certificates of origin and conformity.

Our internal lifts are completely automatic, twin-arm tail-lifts, which are fastened internally to the vehicle floor. These devices are suitable for side or rear installation, depending on the type of product and vehicle to be converted.

In this catalogue you will find:

### **Steel twin-arm lifts ONDA Series**

---

- Page 04-05 OB Series One-piece Platform
- Page 06-07 OS Series Horizontally Folding Platform
- Page 08-09 OW Series Vertically Folding Platform

### **Steel twin-arm lifts BB Series**

---

- Page 10-11 BB Series One-piece Platform
- Page 12-13 SKY Series Horizontally Folding Platform
- Page 14-15 BBW Series Vertically Folding Platform

### **Aluminum twin-arm lifts PIUMA Series**

---

- Page 16-17 Presentation of PIUMA Series
- Page 18-19 BAI Series One-piece Platform
- Page 20-21 BAS Series Horizontally Folding Platform

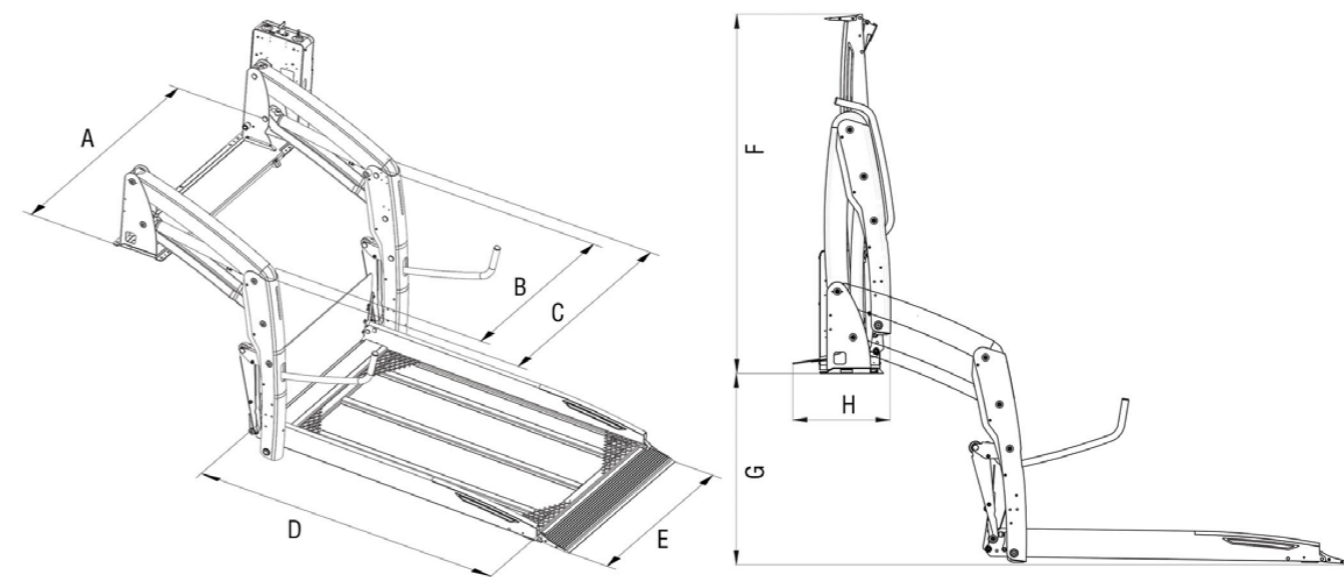
## THE EFFICIENT AND COMFORTABLE WHEELCHAIR LIFT WITH SOLID PLATFORM



- Efficiency** Consuming 30% less energy, ONDA is the most efficient lift available.
- Stability** ONDA's patented unique structure is stiffer than competing systems providing the customer with stability.
- Design** In addition to providing best in class aesthetic design, ONDA offers a more space efficient structure.
- Comfort** Onda achieves unrivalled comfort when equipped with its optional platform lighting system and the lowering speed control which dramatically reduces start-up accelerations.

### OB SPECIFICATIONS

- Solid platform
- Powder Coating
- Two-buttons control unit
- Reduced base plate height
- Automatic roll-stop plate
- Automatic bridging plate
- Auxiliary pump and lowering valve
- Automatic extendible handrails
- EMC tested
- EC Standards compliant
- Crash tested
- Weather Conditions Tested



### Technical Features

## ONDA OB Series

The compact and robust solution for heavy duty use

|         | Baseplate width |     | Clear entry width |      | Traveling frame width |      | Overall platform length |     | Overall platform width |     | Overall lift height |  | Max loading height |  | Overall lift depth |  | Rated load capacity (Kg) |  | Lift weight (Kg) |  |
|---------|-----------------|-----|-------------------|------|-----------------------|------|-------------------------|-----|------------------------|-----|---------------------|--|--------------------|--|--------------------|--|--------------------------|--|------------------|--|
|         | A               | B   | C                 | D    | E                     | F    | G                       | H   |                        |     |                     |  |                    |  |                    |  |                          |  |                  |  |
| OB 1350 | 1178            | 876 | 1060              | 1330 | 815                   | 1468 | 800                     | 335 | 400                    | 148 |                     |  |                    |  |                    |  |                          |  |                  |  |
| OB 1402 | 1276            | 976 | 1153              | 1380 | 910                   | 1521 | 800                     | 300 | 400                    | 145 |                     |  |                    |  |                    |  |                          |  |                  |  |

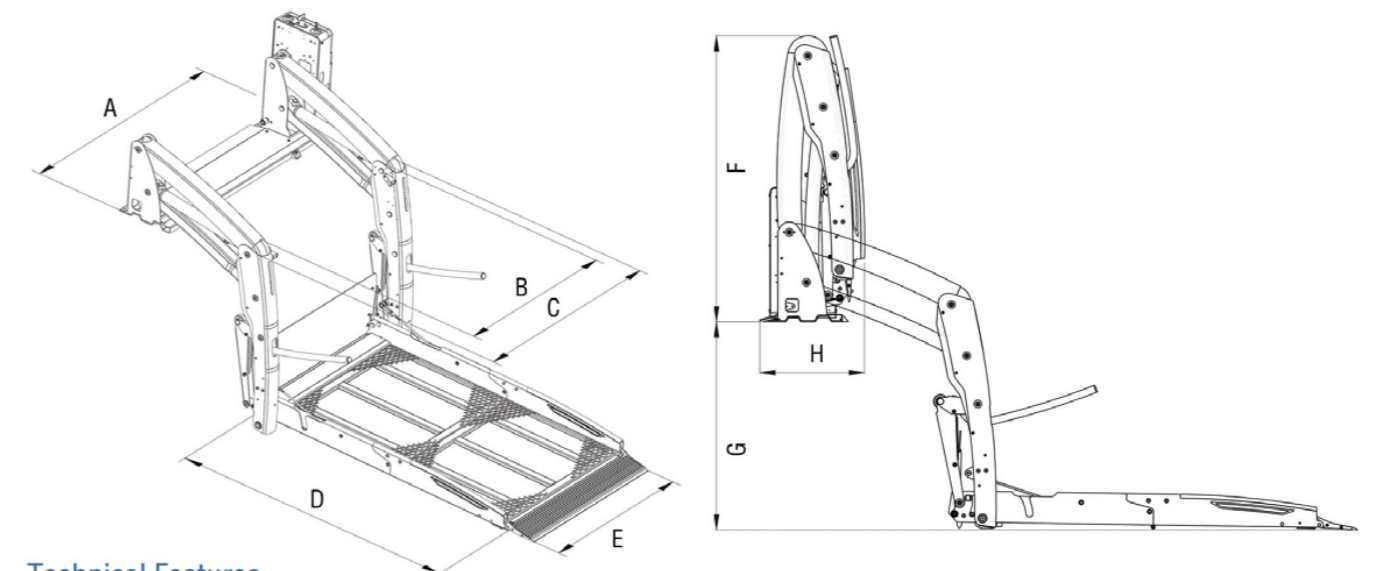
## THE EFFICIENT AND COMFORTABLE WHEELCHAIR LIFT WITH HORIZONTAL FOLDING PLATFORM



- Efficiency** Consuming 30% less energy, ONDA is the most efficient lift available.
- Stability** ONDA's patented unique structure is stiffer than competing systems providing the customer with stability.
- Design** In addition to providing best in class aesthetic design, ONDA offers a more space efficient structure.
- Comfort** Onda achieves unrivalled comfort when equipped with its optional platform lighting system and the lowering speed control which dramatically reduces start-up accelerations.

### OS SPECIFICATIONS

- Horizontally folding platform
- Powder coating
- Two-buttons control unit
- Reduced base plate height
- Automatic roll-stop plate
- Automatic bridging plate
- Auxiliary pump and lowering valve
- Automatic extendible handrails
- EMC tested
- EC standards compliant
- Crash tested
- Weather conditions tested



Technical Features

## ONDA OS Series

The Autolift solution to stow a large platform in a low roof vehicle, providing a good rear visibility

|         | Baseplate width | Clear entry width | Traveling frame width | Overall platform length | Overall platform width | Overall lift height | Max loading height | Overall lift depth | Rated load capacity (Kg) | Lift weight (Kg) |
|---------|-----------------|-------------------|-----------------------|-------------------------|------------------------|---------------------|--------------------|--------------------|--------------------------|------------------|
|         | A               | B                 | C                     | D                       | E                      | F                   | G                  | H                  |                          |                  |
| OS 1150 | 1076            | 772               | 958                   | 1130                    | 710                    | 1107                | 800                | 367                | 400                      | 122              |
| OS 1395 | 1180            | 876               | 1062                  | 1380                    | 815                    | 1107                | 800                | 367                | 400                      | 149              |
| OS 1495 | 1180            | 876               | 1062                  | 1480                    | 815                    | 1107                | 800                | 370                | 400                      | 155              |
| OS 1500 | 1270            | 966               | 1152                  | 1480                    | 900                    | 1107                | 800                | 370                | 400                      | 160              |

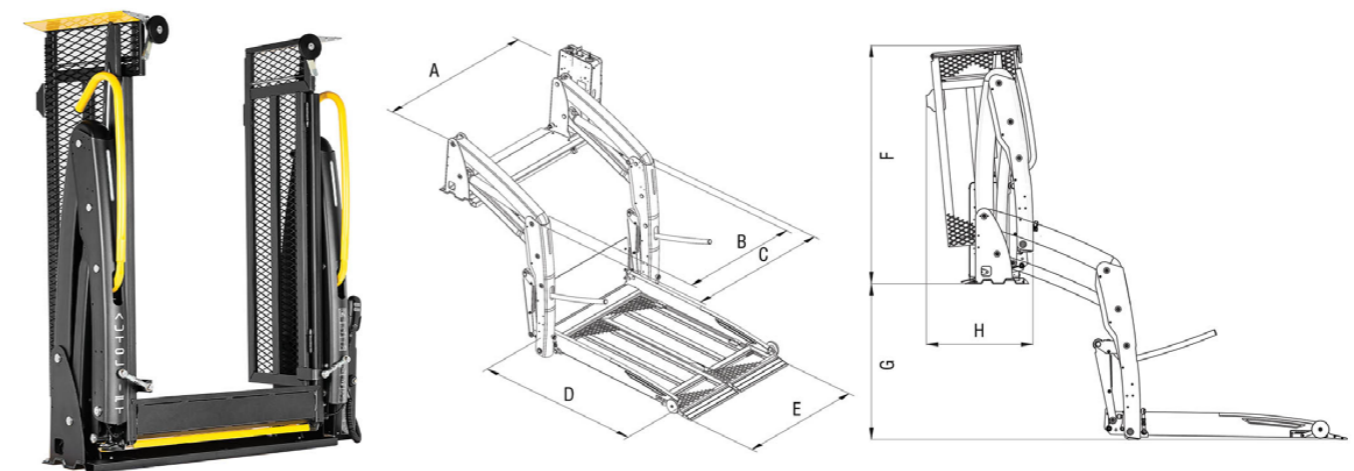
## THE EFFICIENT AND COMFORTABLE WHEELCHAIR LIFT WITH VERTICALLY FOLDING PLATFORM



- Efficiency** Consuming 30% less energy, ONDA is the most efficient lift available.
- Stability** ONDA's patented unique structure is stiffer than competing systems providing the customer with stability.
- Design** In addition to providing best in class aesthetic design, ONDA offers a more space efficient structure.
- Comfort** Onda achieves unrivalled comfort when equipped with its optional platform lighting system and the lowering speed control which dramatically reduces start-up accelerations.

### OW SPECIFICATIONS

- Vertically folding platform
- Powder Coating
- Two-buttons control unit
- Reduced base plate height
- Automatic roll-stop plate
- Automatic bridging plate
- Auxiliary pump and lowering valve
- Automatic extendible handrails
- EMC tested
- EC Standards compliant
- Crash tested
- Weather Conditions Tested



### Technical Features

## ONDA OW Series

The Autolift solution to provide easy access and good visibility

|         | Baseplate width |     | Clear entry width |      | Traveling frame width |      | Overall platform length |     | Overall platform width |     | Overall lift height |  | Max loading height |  | Overall lift depth |  | Rated load capacity (Kg) |  | Lift weight (Kg) |  |
|---------|-----------------|-----|-------------------|------|-----------------------|------|-------------------------|-----|------------------------|-----|---------------------|--|--------------------|--|--------------------|--|--------------------------|--|------------------|--|
|         | A               | B   | C                 | D    | E                     | F    | G                       | H   |                        |     |                     |  |                    |  |                    |  |                          |  |                  |  |
| OW 1060 | 1074            | 772 | 956               | 1060 | 710                   | 1174 | 800                     | 514 | 400                    | 126 |                     |  |                    |  |                    |  |                          |  |                  |  |
| OW 1100 | 1177            | 876 | 1062              | 1110 | 815                   | 1222 | 800                     | 570 | 400                    | 145 |                     |  |                    |  |                    |  |                          |  |                  |  |
| OW 1320 | 1177            | 876 | 1062              | 1330 | 815                   | 1442 | 800                     | 572 | 400                    | 155 |                     |  |                    |  |                    |  |                          |  |                  |  |

## LIFTS WITH ONE-PIECE PLATFORM

Uniquely robust and reliable



**ALSF**  
AUTOLIFT SPACE FRAME

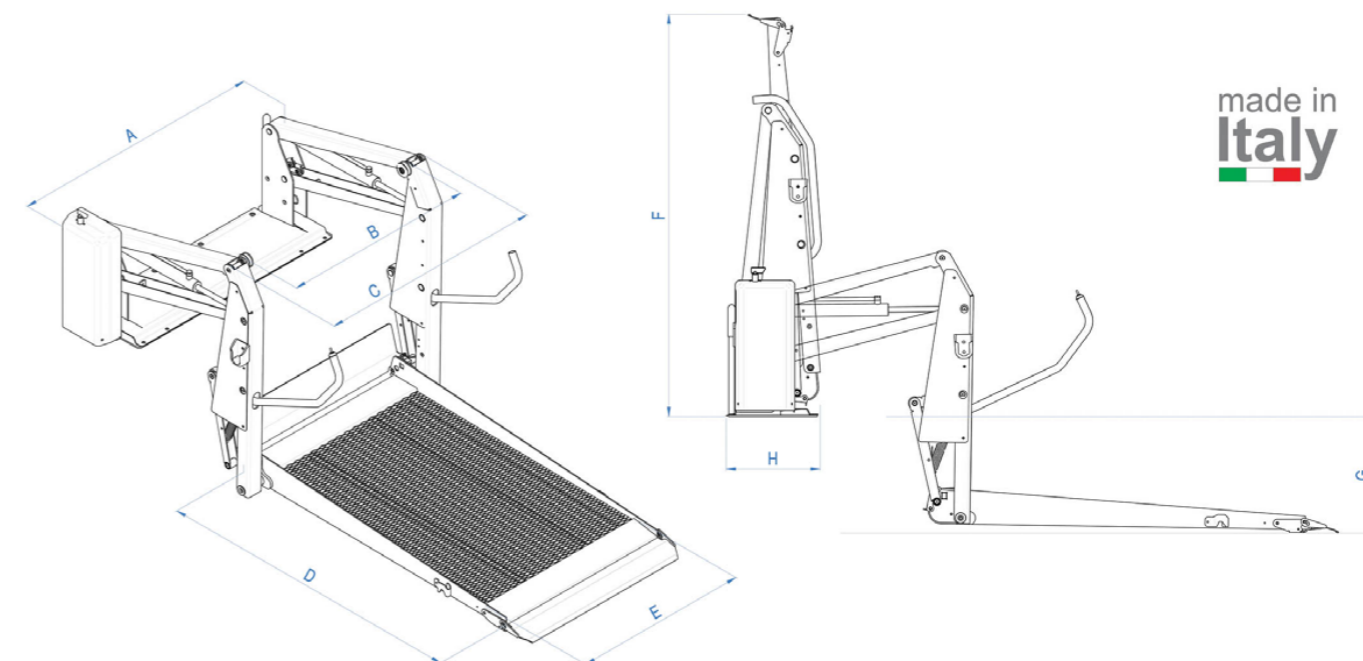
### SAFETY DEVICES

- Front roll-stop stop plate on the automatic loading platform
- Rear roll-stop stop plate on the automatic loading platform
- Anti-tilting control valve
- Automatic extendable/retractable handrails

### EMERGENCY

- Emergency operation lift via auxiliary hydraulic pump
- Emergency descent by unlocking descent valve

The automatic, twin-arm, electro-hydraulic lifts in the **BB** Series have a one-piece platform. Thanks to a two-button control unit and the use of top quality materials, these devices are not only user friendly, they are also extremely reliable. Available in a wide range of sizes, they can be internally rear or side mounted in a wide variety of people carriers.



made in  
**Italy**

### Technical Features

|         | Baseplate width | Clear entry width | Traveling frame width | Overall platform length | Overall platform width | Overall lift height | Max loading height | Overall lift depth | Rated load capacity (Kg) | Lift weight (Kg) |
|---------|-----------------|-------------------|-----------------------|-------------------------|------------------------|---------------------|--------------------|--------------------|--------------------------|------------------|
|         | A               | B                 | C                     | D                       | E                      | F                   | G                  | H                  |                          |                  |
| BB 1050 | 1165            | 880               | 1030                  | 1050                    | 800                    | 1110                | 920                | 350                | 350                      | 148              |
| BB 1350 | 1165            | 880               | 1030                  | 1350                    | 800                    | 1400                | 920                | 350                | 350                      | 153              |
| BB 1401 | 1265            | 970               | 1120                  | 1400                    | 900                    | 1500                | 920                | 350                | 350                      | 163              |

### Special executions

|         |      |     |      |      |     |      |     |     |     |     |
|---------|------|-----|------|------|-----|------|-----|-----|-----|-----|
| BB 1402 | 1265 | 970 | 1120 | 1400 | 900 | 1500 | 920 | 295 | 350 | 142 |
|---------|------|-----|------|------|-----|------|-----|-----|-----|-----|

### Series BB

#### Technical Features

- Movement powered by two hydraulic cylinders
- One-piece folding platform with anti-slip surface
- Anti-rust powder paint coating
- Self-lubricating bushings and pins

- Two-button control unit
- 12-24V Electrical System
- For use at temperatures between -30°C and +70°C
- Valid EMC accreditation (E30)
- EC standard compliant

# LIFTS WITH HORIZONTALLY FOLDING PLATFORM

## The importance of good rear visibility



**ALSF**  
AUTOLIFT SPACE FRAME

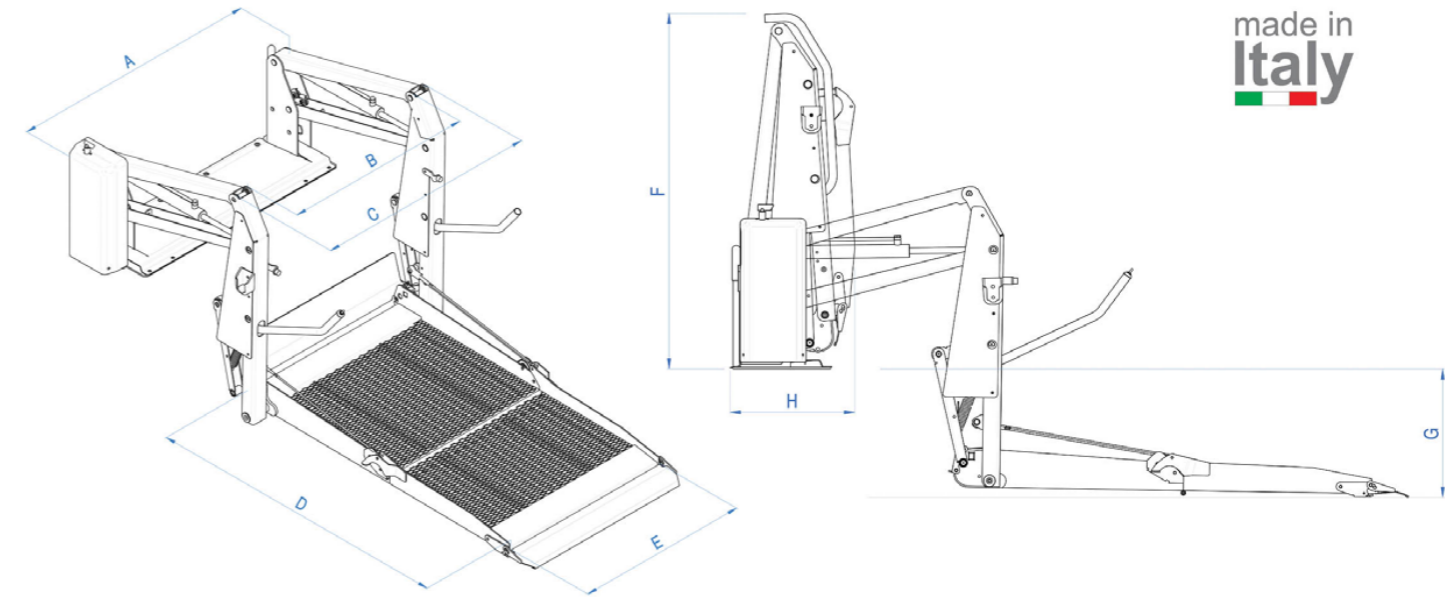
### SAFETY DEVICES

- Front safety roll stop on the automatic loading platform
- Rear safety roll stop on the automatic loading platform
- Anti-tilting control valve
- Automatic extendable/retractable handrails

### EMERGENCY

- Emergency operation lift via auxiliary hydraulic pump
- Emergency descent by unlocking descent valve

The automatic, twin-arm, electro-hydraulic lifts in the **SKY** Series have a horizontally folding platform. Thanks to a two-button control unit and the use of top quality materials, these devices are not only user friendly, they are also extremely reliable. Available in a wide range of sizes, they can be internally rear and side mounted in a wide variety of people carriers, whilst ensuring good visibility.



### Technical Features

|           | Baseplate width | Clear entry width | Traveling frame width | Overall platform length | Overall platform width | Overall lift height | Max loading height | Overall lift depth | Rated load capacity (Kg) | Lift weight (Kg) |
|-----------|-----------------|-------------------|-----------------------|-------------------------|------------------------|---------------------|--------------------|--------------------|--------------------------|------------------|
|           | A               | B                 | C                     | D                       | E                      | F                   | G                  | H                  |                          |                  |
| BBSL 1150 | 1085            | 790               | 940                   | 1150                    | 720                    | 1130                | 880                | 350                | 320                      | 122              |
| BBS 1250  | 1165            | 880               | 1030                  | 1250                    | 800                    | 1220                | 920                | 370                | 350                      | 155              |
| BBS 1395  | 1165            | 880               | 1030                  | 1400                    | 800                    | 1220                | 920                | 370                | 350                      | 156              |
| BBS 1400  | 1265            | 970               | 1120                  | 1400                    | 900                    | 1120                | 920                | 370                | 350                      | 166              |

### Series SKY BBS Technical Features

- Movement powered by two hydraulic cylinders
- Horizontally folding platform with anti-slip surface
- Anti-rust powder paint coating
- Self-lubricating bushings and pins

- Two-button control unit
- 12-24V Electrical System
- For use at temperatures between -30°C and +70°C
- Valid EMC accreditation (EMC)
- EC standard compliant

# LIFTS WITH VERTICALLY FOLDING PLATFORM

## Easy access and good visibility



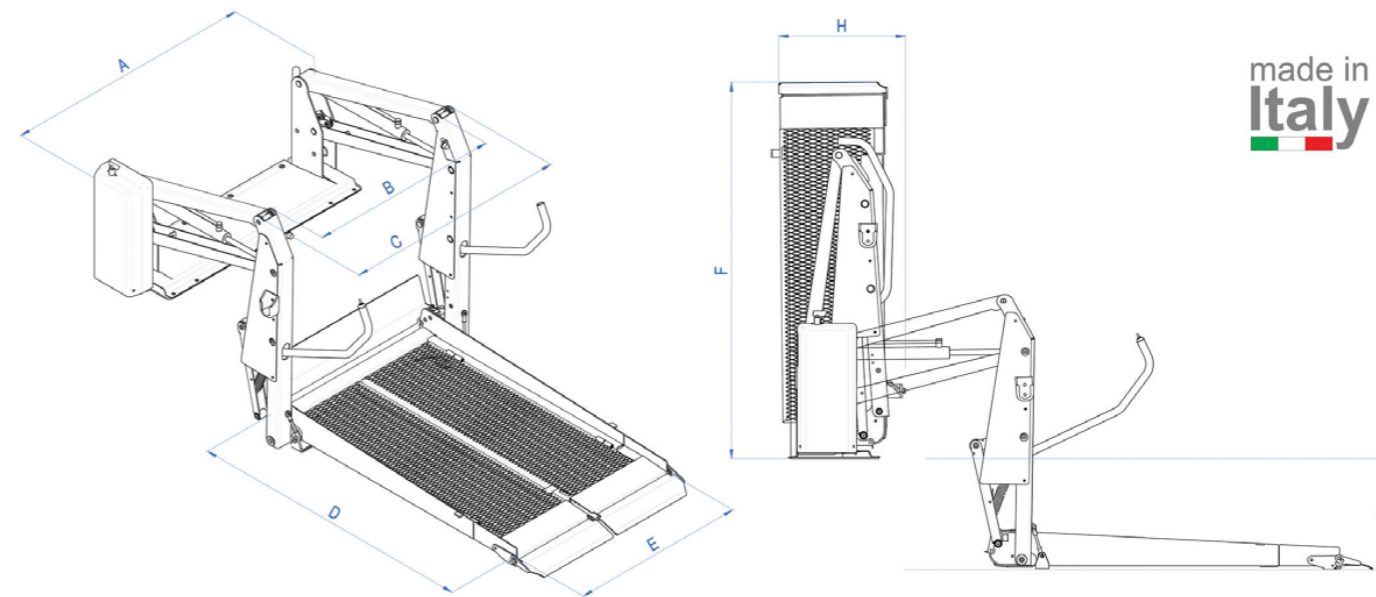
### SAFETY DEVICES

- Front safety roll stop on the automatic loading platform
- Rear safety roll stop on the automatic loading platform
- Anti-tilting control valve
- Automatic extendable/retractable handrails

### EMERGENCY

- Emergency operation lift via auxiliary hydraulic pump
- Emergency descent by unlocking descent valve

The automatic, twin-arm, electro-hydraulic lifts in the **BBW** Series have a vertically folding platform. Thanks to a two-button control unit and the use of top quality materials, these devices are not only user friendly, they are also extremely reliable. Available in a wide range of sizes, they can be internally rear and side mounted in a wide variety of people carriers. These devices are unusual, as they not only guarantee good visibility, but also provide an additional access point.



made in Italy

### Technical Features

|           | Baseplate width | Clear entry width | Traveling frame width | Overall platform length | Overall platform width | Overall lift height | Max loading height | Overall lift depth | Rated load capacity (Kg) | Lift weight (Kg) |
|-----------|-----------------|-------------------|-----------------------|-------------------------|------------------------|---------------------|--------------------|--------------------|--------------------------|------------------|
|           | A               | B                 | C                     | D                       | E                      | F                   | G                  | H                  |                          |                  |
| BBWM 905  | 970             | 690               | 840                   | 915                     | 645                    | 1020                | 690                | 420                | 320                      | 108              |
| BBWL 1030 | 1085            | 790               | 940                   | 1030                    | 745                    | 1180                | 880                | 485                | 320                      | 126              |
| BBW 1350  | 1165            | 880               | 1030                  | 1300                    | 800                    | 1450                | 920                | 500                | 350                      | 160              |

### Special executions

|            |      |     |     |      |     |      |     |     |     |     |
|------------|------|-----|-----|------|-----|------|-----|-----|-----|-----|
| BBWL 1030T | 1090 | 765 | 935 | 1030 | 745 | 1150 | 880 | 480 | 320 | 100 |
|------------|------|-----|-----|------|-----|------|-----|-----|-----|-----|

### Series BBW

#### Technical Features

- Movement powered by two hydraulic cylinders
- Vertically folding platform with anti-slip surface
- Anti-rust powder paint coating
- Self-lubricating bushings and pins

- Two-button control unit
- 12-24V Electrical System
- For use at temperatures between -30°C and +70°C
- Valid EMC accreditation (EMC)
- EC standard compliant



- Modern Design
- No Corrosion
- Flashing Lights integrated in the Arms
- Weight reduced up to 50%
- Increased Payload (1 more seat)
- Lower Fuel Consumption
- Environment Friendly through reduced CO2 Emissions
- Vehicle Improved Stability



**ALSF**  
AUTOLIFT SPACE FRAME

Patents Pending

Lighter than



Lower fuel  
consumption



Environment  
friendly



100%  
recyclable



made in  
**Italy**

All car producers advice not to carry unnecessary loads in vehicle in order to reduce fuel consumption.

From our research we can estimate that the reduced weight of the PIUMA Lift can help to reduce the fuel consumption up to **0,3 lt/100km**.

**On this base we can calculate following savings:**

#### FUEL SAVING (Diesel Engines)

| Year         | Saving 10.000 Km / Year | 20.000 Km / Year | 30.000 Km / Year |
|--------------|-------------------------|------------------|------------------|
| 1            | 45                      | 90               | 135              |
| 2            | 90                      | 180              | 270              |
| 3            | 135                     | 270              | 405              |
| 4            | 180                     | 360              | 540              |
| 5            | 225                     | 450              | 675              |
| 6            | 270                     | 540              | 810              |
| 7            | 315                     | 630              | 945              |
| 8            | 360                     | 720              | 1080             |
| 9            | 405                     | 810              | 1215             |
| 10           | 450                     | 900              | 1350             |
| <b>Total</b> | <b>450 Euro</b>         | <b>900 Euro</b>  | <b>1350 Euro</b> |

#### Reduction of CO2 Emission (1lt Diesel fuel = 2.650 g)

| Year         | Reduction by 10.000 Km / Year | 20.000 Km / Year   | 30.000 Km / Year   |
|--------------|-------------------------------|--------------------|--------------------|
| 1            | 79.500 g                      | 159.000 g          | 238.500 g          |
| 2            | 159.000 g                     | 318.000 g          | 477.000 g          |
| 3            | 238.500 g                     | 477.000 g          | 715.000 g          |
| 4            | 318.000 g                     | 636.000 g          | 954.000 g          |
| 5            | 397.000 g                     | 795.000 g          | 1.192.500 g        |
| 6            | 477.000 g                     | 954.000 g          | 1.431.000 g        |
| 7            | 556.500 g                     | 1.113.000 g        | 1.669.500 g        |
| 8            | 636.000 g                     | 1.272.000 g        | 1.908.000 g        |
| 9            | 715.500 g                     | 1.431.000 g        | 2.146.500 g        |
| 10           | 795.000 g                     | 1.590.000 g        | 2.380.500 g        |
| <b>Total</b> | <b>795.000 g</b>              | <b>1.590.000 g</b> | <b>2.380.000 g</b> |

## ALUMINUM LIFTS WITH A ONE-PIECE PLATFORM

### Lightweight yet robust



**ALSF**  
AUTOLIFT SPACE FRAME

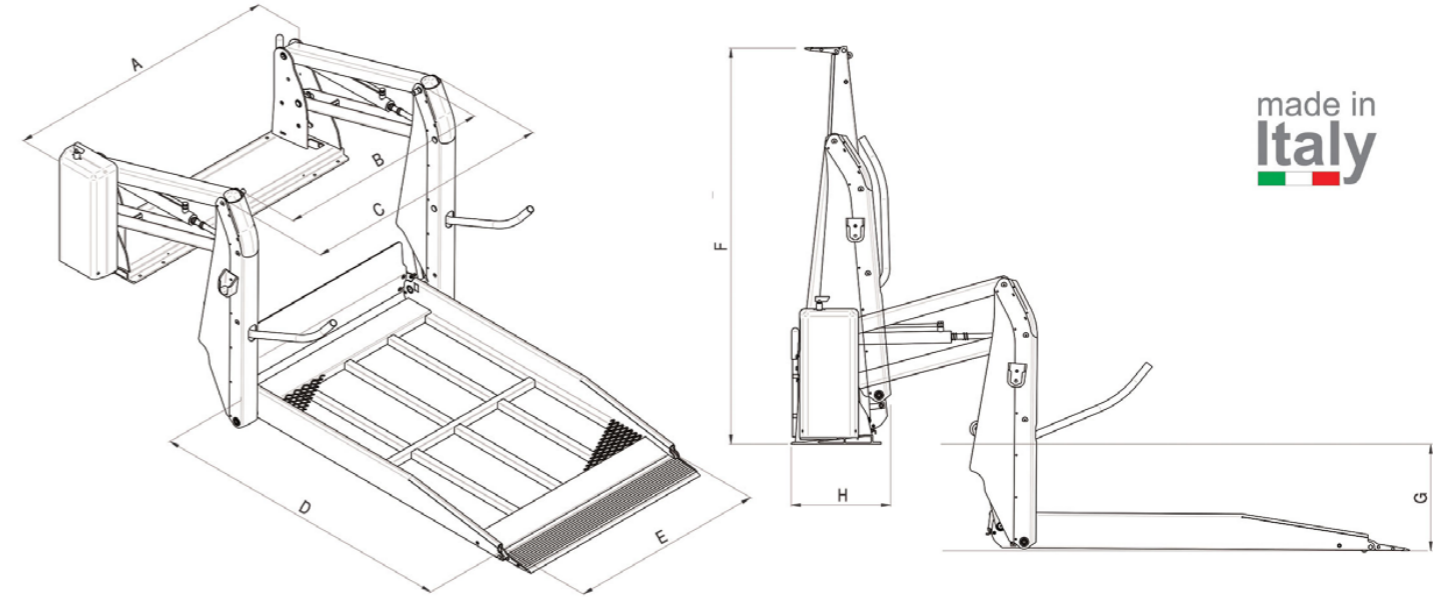
#### SAFETY DEVICES

- Anti-tilting control valve
- Front safety roll-stop on the automatic loading platform
- Rear safety roll-stop on the automatic loading platform
- Automatic extendable/retractable handrails

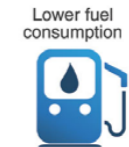
#### EMERGENCY

- Emergency operation lift via auxiliary hydraulic pump
- Emergency descent by unlocking descent valve

The electro-hydraulic lifts in the **BAI Series** have automatic, aluminum twin-arms and horizontal platform. Thanks to a two-button control unit and the use of top quality materials, these devices are not only user friendly, they are also extremely reliable. Available in a wide range of sizes, they can be internally rear or side mounted in a wide variety of people carriers. The aluminum structure of BAI lifts is completely corrosion proof and its light weight construction ensures considerable fuel saving, whilst remaining sturdy and reliable.



made in  
**Italy**



#### Technical Features

|          | Baseplate width | Clear entry width | Traveling frame width | Overall platform length | Overall platform width | Overall lift height | Max loading height | Overall lift depth | Rated load capacity (Kg) | Lift weight (Kg) |
|----------|-----------------|-------------------|-----------------------|-------------------------|------------------------|---------------------|--------------------|--------------------|--------------------------|------------------|
|          | A               | B                 | C                     | D                       | E                      | F                   | G                  | H                  |                          |                  |
| BAI 1401 | 1290            | 975               | 1145                  | 1400                    | 900                    | 1525                | 920                | 370                | 350                      | 104              |
| BAI 1402 | 1290            | 975               | 1145                  | 1400                    | 900                    | 1510                | 880                | 295                | 350                      | 106              |

#### Series BAI Technical specifications

- Movement powered by two hydraulic cylinders
- Anti-rust powder paint coating
- 100% corrosion and rust proof
- Self-lubricating bushings and pins

- All aluminum, one-piece platform with anti-slip surface
- Two-button control unit
- 12-24V Electrical System
- For use at temperatures between -30°C and +70°C
- Valid EMC accreditation
- EC standard compliant

**ALUMINUM LIFTS WITH HORIZONTALLY FOLDING PLATFORM**  
Lightweight plus good visibility



**ALSF**  
AUTOLIFT SPACE FRAME

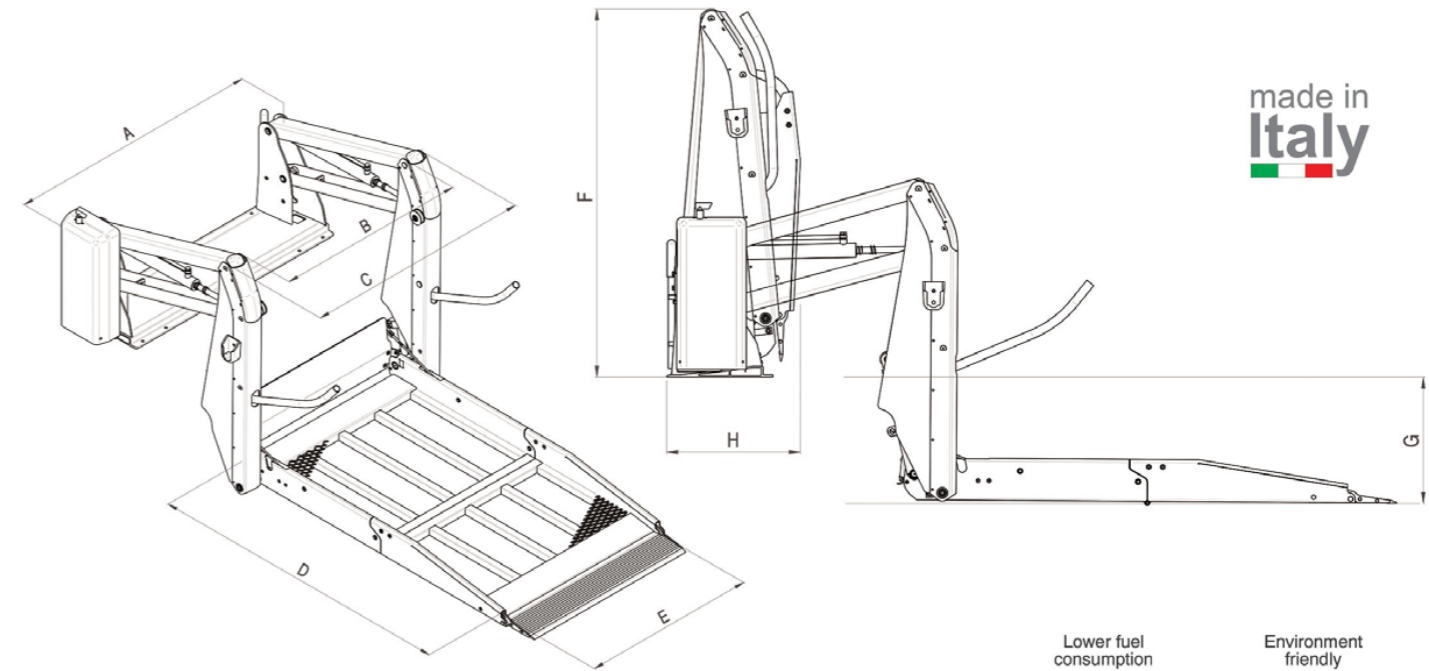
**SAFETY DEVICES**

- Anti-tilting control valve
- Front safety roll-stop on the automatic loading platform
- Rear safety roll-stop on the automatic loading platform
- Automatic extendable/retractable handrails

**EMERGENCY**

- Emergency operation lift via auxiliary hydraulic pump
- Emergency descent by unlocking descent valve

The electro-hydraulic lifts in the **BAS Series** have automatic, aluminum twin-arms and horizontally foldable platform. Thanks to a two-button control unit and the use of top quality materials, these devices are not only user friendly, they are also extremely reliable. Available in a wide range of sizes, they can be internally rear or side mounted in a wide variety of people carriers. The aluminum structure of BAS lifts is completely corrosion proof and its light weight ensures considerable fuel saving, whilst remaining sturdy and reliable.



made in  
**Italy**



**Technical Features**

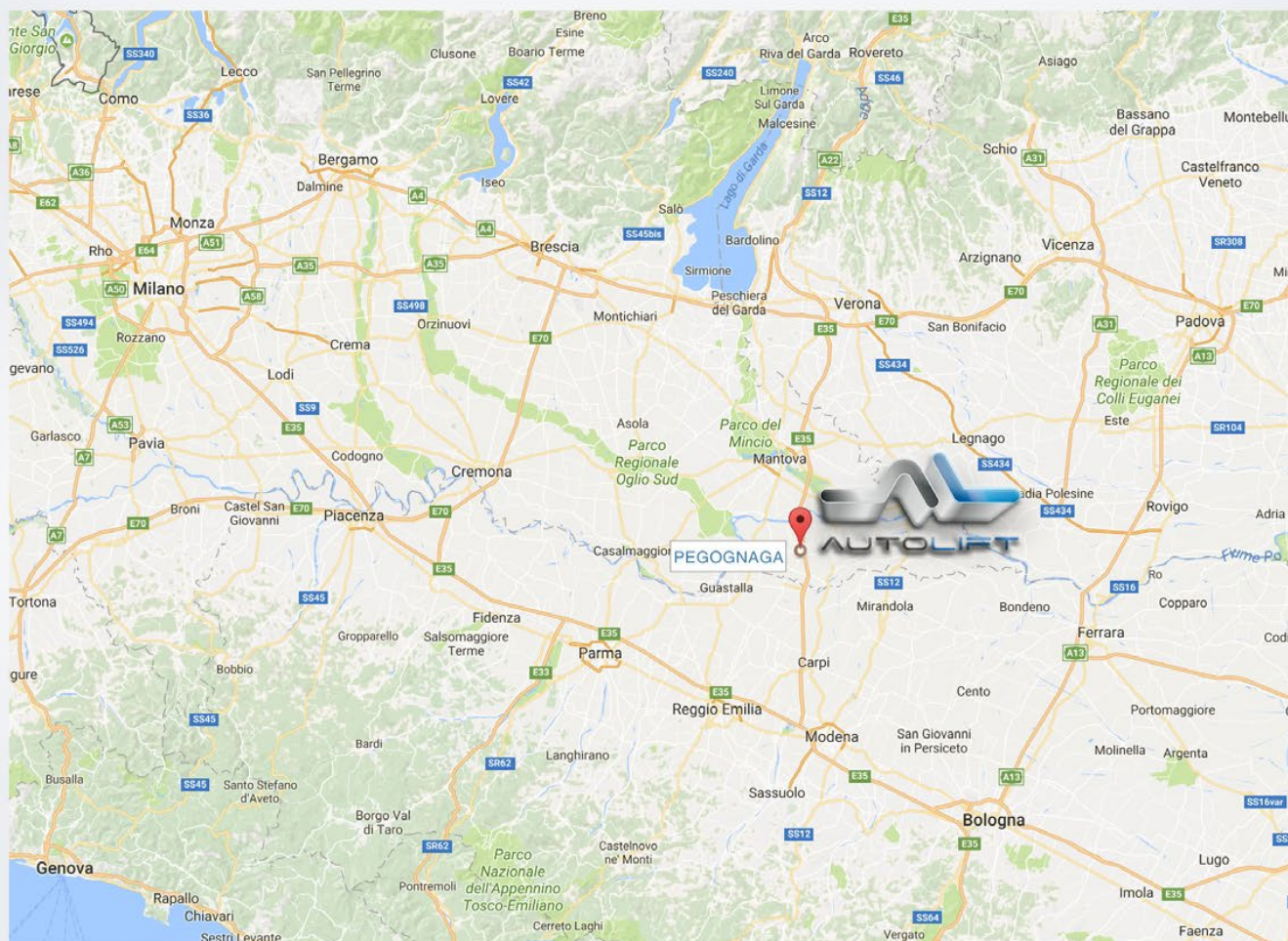
|          | Baseplate width | Clear entry width | Traveling frame width | Overall platform length | Overall platform width | Overall lift height | Max loading height | Overall lift depth | Rated load capacity (Kg) | Lift weight (Kg) |
|----------|-----------------|-------------------|-----------------------|-------------------------|------------------------|---------------------|--------------------|--------------------|--------------------------|------------------|
|          | A               | B                 | C                     | D                       | E                      | F                   | G                  | H                  |                          |                  |
| BAS 1395 | 1190            | 875               | 1045                  | 1400                    | 800                    | 1190                | 920                | 450                | 350                      | 109              |

**Series BAS**  
Technical specifications

- Movement powered by two hydraulic cylinders
- Anti-rust powder paint coating
- 100% corrosion and rust proof
- Self-lubricating bushings and pins

- All-aluminum, horizontally folding platform with anti-slip surface
- Two-button control unit
- 12-24V Electrical System
- For use at temperatures between -30°C and +70°C
- Valid EMC accreditation (E5)
- EC standard compliant

# WHERE WE ARE



Autolift S.r.l. is the leading Italian manufacturer of lifts, steps and assistance equipment for the transportation of disabled persons. All products are **MADE IN ITALY** and are marketed nationwide and throughout Europe. Our factory is located in Mantua, near the Pegognaga highway exit.

AUTOLIFT S.r.l.

Via B. Trentin, 8 - 46020 Pegognaga (MN)

Tel. +39 0376 550375 - Fax +39 0376 553728 - E-mail [info@autoliftsrl.com](mailto:info@autoliftsrl.com)

[www.autoliftsrl.com](http://www.autoliftsrl.com)