

Vehicle seats

Getting seated

Compatibility Matrix

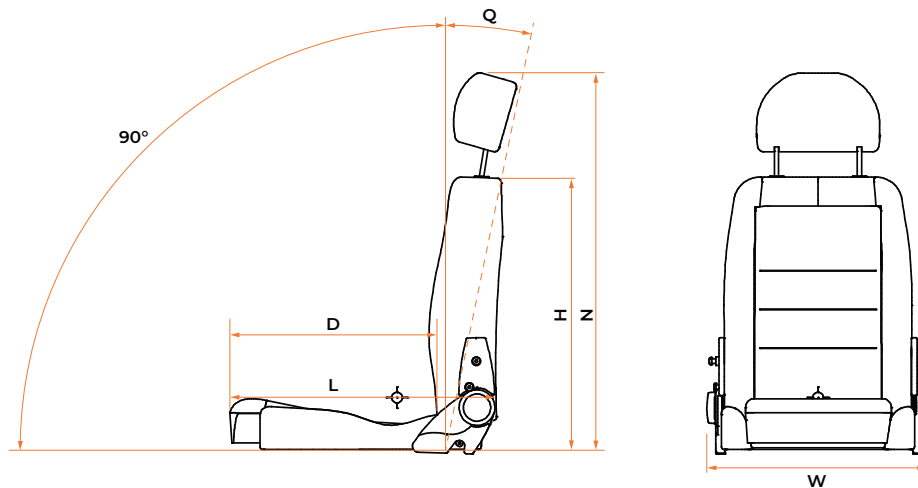
Our seats can be used with a majority of our Getting seated products, but there are a couple of exceptions. Use the matrix below to find which seats are available for each product.

	BEV	Compact	Recaro	GS	BIS
Turnout	YES ²	YES ²	YES ²	YES ¹⁺²	NO
Turny Manual ³	NO	NO	NO	NO	NO
Turny Low Vehicle	YES	NO	YES	YES ¹	NO
Turny HD/Orbit	YES	YES	YES	YES ¹	NO
Turny Evo	YES	YES	YES ¹	YES ¹	YES ⁴
Turny 6-Way	YES ²	YES ²	YES ²	YES ¹⁺²	NO

1. requires adapter plate 2. requires slide rails 3. only compatible with Carony 4. only available as a kit solution

Specifications

All the necessary data you need about our seats.



	BEV	BEV Kids	Compact	Recaro	GS	BIS
Length (L)	63 cm	54.5 cm	59 cm	60-64 cm	52-55 cm	63 cm
Width (W)	51 cm	51 cm	51 cm	54 cm	51 cm	51 cm
Height (H)	62 cm	62 cm	63 cm	65 cm	76 cm	69 cm
Height with headrest (N)	78-90 cm	78-90 cm	81-88 cm	80-85 cm	93 cm	85-92 cm
Depth (D)	47-52 cm	38.5-43.5 cm	48 cm	49,5-53,5 cm	22-45 cm	49 cm
Max recline (Q)	44°	44°	90°	90°	90°	90°
Weight	13 kg	13 kg	12 kg	18 kg	28 kg	19 kg

All dimensional measures taken at 20°-22° recliner angle.

L = Taken at H-point height, W = Widest part of seat, H = Height without headrest, N = Height including headrest, D = Taken at lumbar support, Q = Max possible recliner angle

BEV Seat

Ergonomic low built seat, specially designed for easy individual adaptation.



SWIVEL BASE COMPATIBILITY					
TURNOUT	TURNY MANUAL	TURNY LOW VEHICLE	TURNY HD/ORBIT	TURNY EVO	TURNY 6-WAY
✓ ⁴	✗	✓	✓	✓	✓ ⁴

4. requires Slide rails

The BEV seat has been designed for fitting in combination with the Turny or the Turnout swivel seats whenever available space means that a seat of the low-level type would be a major benefit.

The BEV seat has another great advantage in that the flat sides of the cushion have easy-slide upholstery well suited to transfers to and from a wheelchair.

The cushions in the backrest and base are removable, beneath which a variety of extras such as torso or lumbar supports can be fitted. The cushions are easily removed from their Velcro fasteners for cleaning or replacement.

There are also a number of practical accessories that further adapt seat use by those with particular needs and wishes.

The BEV seat is also available in a kids version, for children who need a shorter cushion or have other specific needs, such as a lower headrest.

The BEV Seat is tested and approved according to M1 standards.

Quick facts

- Highly adaptable with many accessories
- Low built
- M1 approved

Specifications

WEIGHT 13 kg
 DIMENSIONS (H, L, W) 78-90 x 63 x 51 cm
 SEAT DEPTH 47-52 cm

To guarantee your safety BraunAbility products are designed and tested according to current directives and standards.



BEV Seat

Models



100420 BEV seat



102594 BEV Kids seat



100458 Comfort headrest



101365 Kids headrest



100665 Head support



100430 Side support



102193 Backrest cushion



100432 Lumbar support



103901 H-point bracket (BEV Seat)



100848 Armrest kit
100428 Armrest, right
100429 Armrest, left



102194 Seat cushion
102191 Pressure seat cushion



Compact Seat

Economic low built seat.



Compact Seat is a safe and economical alternative to other more feature-rich car seats that are designed to blend in with the vehicle's interior.

The optional Plus kit raises the front of the seat cushion which increases seating comfort and helps prevent users from sliding forward. We highly recommend this kit on all Compact Seat installations.

The Compact Seat is tested and approved according to M1 standards.

Quick facts

- Blends in with the car interior
- Adaptable with accessories
- Optional Plus kit for increased seating comfort
- Low profile
- M1 approved

Specifications

WEIGHT 12 kg
 DIMENSIONS (H, L, W) 81-88 x 59 x 51 cm
 SEAT DEPTH 48 cm

To guarantee your safety BraunAbility products are designed and tested according to current directives and standards.

- 102593** Compact seat
- 102978** Compact seat Plus
- 102893** Plus raising kit
- 100458** Comfort headrest, Compact/BEV
- 100665** Neck roll
- 100848** Armrest kit
- 100428** Armrest, right
- 100429** Armrest, left

- 103902** H-point bracket (Compact seat)

NOTE! Compact Seat does NOT have a release catch that allows the backrest to fold forward.

SWIVEL BASE COMPATIBILITY

TURNOUT	TURNY MANUAL	TURNY LOW VEHICLE	TURNY HD/ORBIT	TURNY EVO	TURNY 6-WAY
✓ ⁴	✓	✗	✓	✓	✓ ⁴

4. requires Slide rails



Manufactured by Recaro

Recaro Specialist L

Comfortable and ergonomic low built seat.



The Recaro Specialist L seat is a low built seat with a bucket seat cushion. Pull-out seat extensions together with robust side bolsters of the backrest ensure a comfortable and ergonomically correct driving position.

The Recaro Specialist L is tested and approved according to M1 standards.

Quick facts

- Blends in with the car interior
- Excellent support for both legs and thighs
- Adaptable with accessories
- Low profile
- M1 approved

Specifications

WEIGHT 18 kg
 DIMENSIONS (H, L, W) 80-85 x 60-64 x 54 cm
 SEAT DEPTH 49.5-53.5 cm

To guarantee your safety BraunAbility products are designed and tested according to current directives and standards.



- 100693** Recaro Specialist L
- 101153** Comfort headrest, Recaro
- 100665** Neck roll
- 102618** Armrest kit
- 101879** Armrest, right
- 101880** Armrest, left
- 102812** Adapter plate for Turny Evo
- 103784** Release handle for Turny Low Vehicle
- 103903** H-point bracket (Recaro)
- 100197** Slide rails (Recaro)

SWIVEL BASE COMPATIBILITY					
TURNOUT	TURNY MANUAL	TURNY LOW VEHICLE	TURNY HD/ORBIT	TURNY EVO	TURNY 6-WAY
✓ ⁴	✓	✓	✓	✓ ¹	✓ ⁴

1. requires adapter plate 4. requires Slide rails



GS Seat

Highly adaptable seat for children and people of short stature.



On the GS Seat, almost everything can be individually adjusted, for example, the seat depth and the position of each armrest in all three dimensions. The GS Seat also has a wide number of accessories that will help further adapt the seat to a user's specific needs.

Designed with the growing child in mind, the GS Seat can be adjusted to provide comfortable and safe seating.

The GS Seat is tested and approved according to M1 standards.

Quick facts

- Highly adaptable with many accessories
- Can "grow" with the user
- Easy to adjust for the caregiver
- M1 approved

Specifications

WEIGHT 28 kg
 DIMENSIONS (H, L, W) 93 x 52-55 x 51 cm
 SEAT DEPTH 22-45 cm

To guarantee your safety BraunAbility products are designed and tested according to current directives and standards.

NOTE! The posture belt included in the GS Seat is not a safety belt.

NOTE! GS seat is not tested according to ECE R44 or R129.



SWIVEL BASE COMPATIBILITY					
TURNOUT	TURNY MANUAL	TURNY LOW VEHICLE	TURNY HD/ORBIT	TURNY EVO	TURNY 6-WAY
✓ ¹	✗	✗	✓ ¹	✓ ¹	✓ ¹

1. requires adapter plate



GS Seat

Models



Choose size of the side support
103237 Side support Large
103238 Side support Small



103252 Headrest large sides



103250 Headrest
 For tall users

103235 GS Seat
 5-point belt, headrest small sides, leg support



103243 Armrest kit



103248 Relieve table
 If the armrest is not enough



103089 Chest padding 5-p belt
 Improves comfort and prevents belt sliding apart



103245 Incontinence cover
 Protects the seat cushion



103249 Abduction block
 Keeps legs apart



103242 Belt deflector



103244 Footrest
103253 Straps with loop
103088 Heel support



103247 Lumbar support, air



103086 Adapter plate
 Gives BEV Seat hole pattern