



SP 960

UNDERFLOOR LIFT



Electromagnetic Compatibility



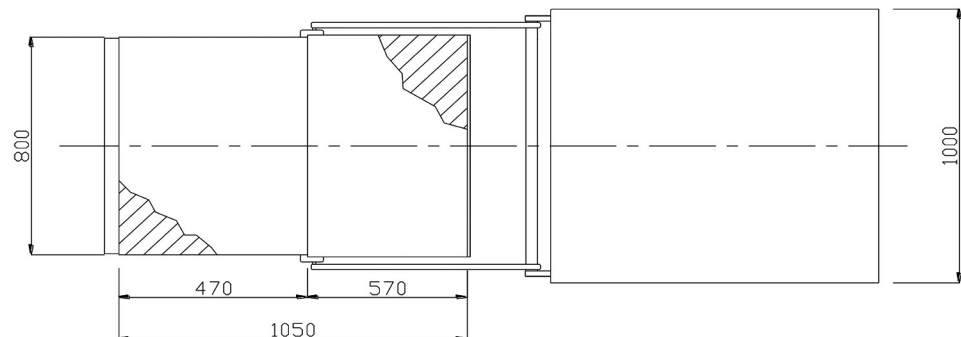
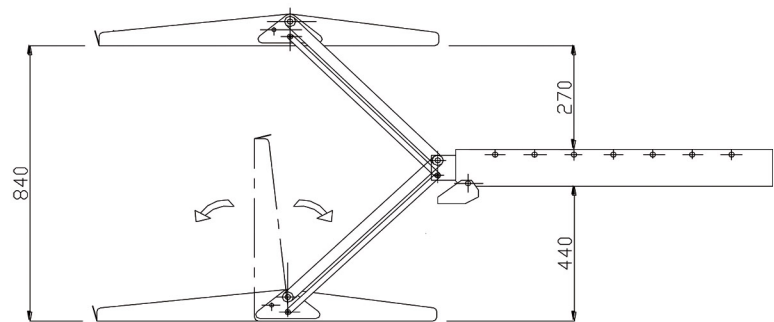
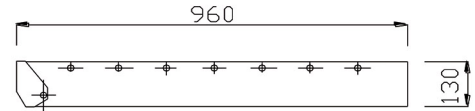
SP 960 is a retractable half automatic lift developed to be fitted in the rear of the floor of the vehicles.

Thanks to the compact dimensions of the cassette and to the different available lengths of the arms, **SP 960** it is available for a wide range of vehicles.

- Platform with aluminum antislip surface
- Controlled by a 4 bottoms pendant switch
- Safety front and back flaps
- Auxiliary emergency hand pump

OPTIONAL

- Wireless remote control



SP 960 Technical specifications

Loading capacity 320 kg
 Own weight 140 kg
 Electrical system 12-24 Volt
 Max. pressure 140 Bar
 Platform dimension 1050 x 800 mm
 Max. floor height 830 mm
 Emergency auxiliary manual pump

AUTOLIFT S.r.l.

Via B. Trentin, 8 - 46020 Pegognaga (MN)

Tel. +39 0376 550375 - Fax +39 0376 553728 - E-mail info@autoliftsrl.com

www.autoliftsrl.com