



AUTOLIFT™



UNDERFLOOR LIFTS

WELCOME TO AUTOLIFT

Autolift S.r.l. is a young, dynamic company. With twenty years of experience in the lifting sector, the company has specialized in the production of equipment for wheelchair accessibility. Thanks to highly specialized staff, cutting-edge technologies and full range of products, Autolift S.r.l. can meet the market demand for motor vehicle outfitting to serve both private and public use clients.

The company's mission focuses on:

- Ongoing research to find the best solutions to eliminate the barriers to access and transport for people with disabilities.
- Development and engineering of special devices to cover the full range of requirements from our global clientele.
- Produce aids that comply with current regulations concerning the disabled, first aid and public transport.
- Offer prompt, efficient support that enables installers to provide their customers with impeccable service both during installation and after-sales (warranty, spare parts, support).
- An offering that can even meet the needs of people with disabilities to board trains, ships and aircraft as per European regulations.
- Compliance of all our products with CE markings and regulations on electromagnetic compatibility. Each product, whether a lift or access step, comes not only with the relative manuals, but also with certificates of origin and conformity.

"The market is always on the lookout for cutting-edge, less invasive products. Maintaining the original tank and exhaust system is an important step forward. Autolift... Lifts that surpass the expectations"

Undercarriage lifts are retractable sides secured under the vehicle chassis. These devices can be installed on the side or at the back depending on the type of product and vehicle to be converted.

In this catalogue you will find:

Undercarriage lifts

Side-mounted

Page 04 - 05 F6 Multilink EVO
Page 06 - 07 F6 Multilink EVO Side Entry
Page 08 - 09 F900

Undercarriage lifts

Rear-mounted

Page 10 - 11 SP 1100 A
Page 12 - 13 SP 1400 A
Page 14 - 15 SP 960
Page 16 - 17 SP 860

Undercarriage lifts

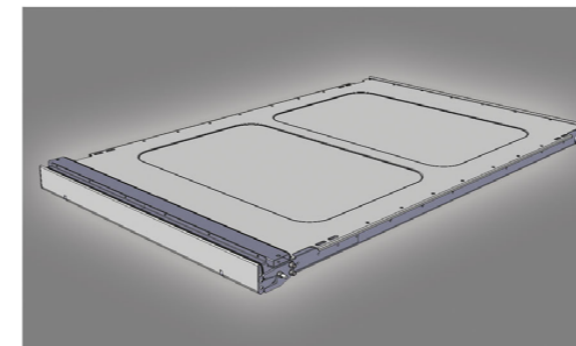
Minibus/Autobus

Page 18 - 19 IP 1400 A
Page 20 - 21 F12

THE ULTRA-SLIM CASSETTE LIFT



F6 Multilink Evo
The new standard in ultra-slim cassette lift design

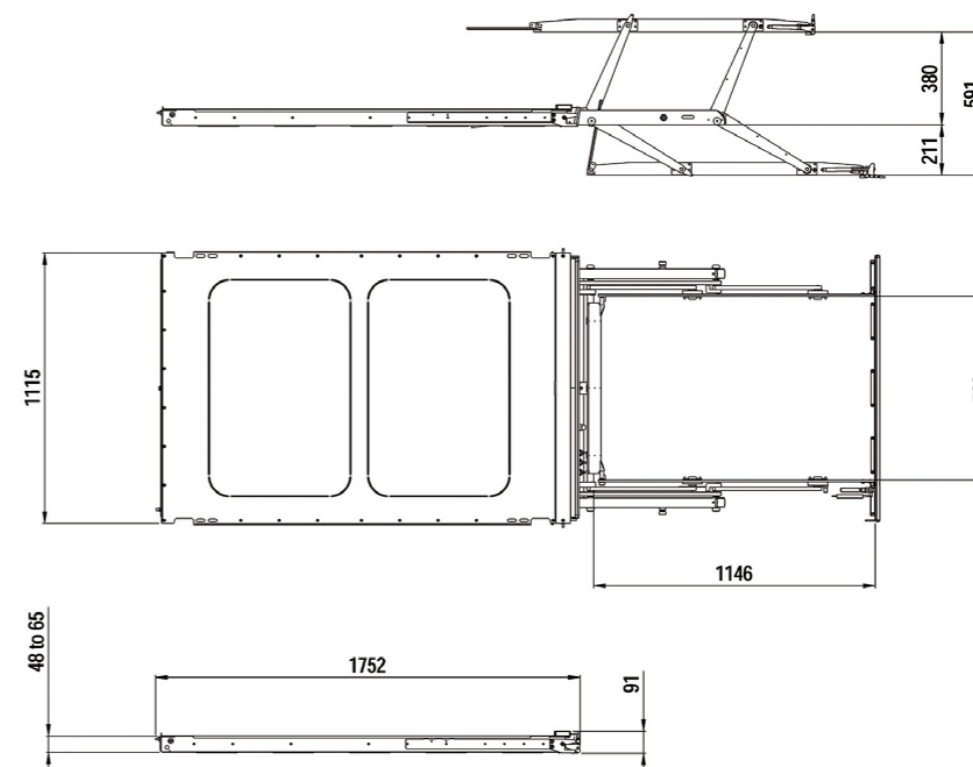


Light Construction

Ultra Slim Cassette - Thickness from 48 mm to 65 mm

OEM Fuel Tank and Exhaust remain intact

Quick Installation Kits for a large number of vehicles



F6 Multilink EVO
Technical specifications

Loading capacity 300 kg

Own weight < 140 kg

Platform dimension 760 x 1146 mm

Emergency auxiliary manual pump

THE ULTRA-SLIM CASSETTE LIFT



F6 Multilink Evo - Side Entry

The safest and comfortable cassette lift solution available on the market, especially designed for narrow parking spaces



Designed to permit access to the vehicle also in narrow parkings.

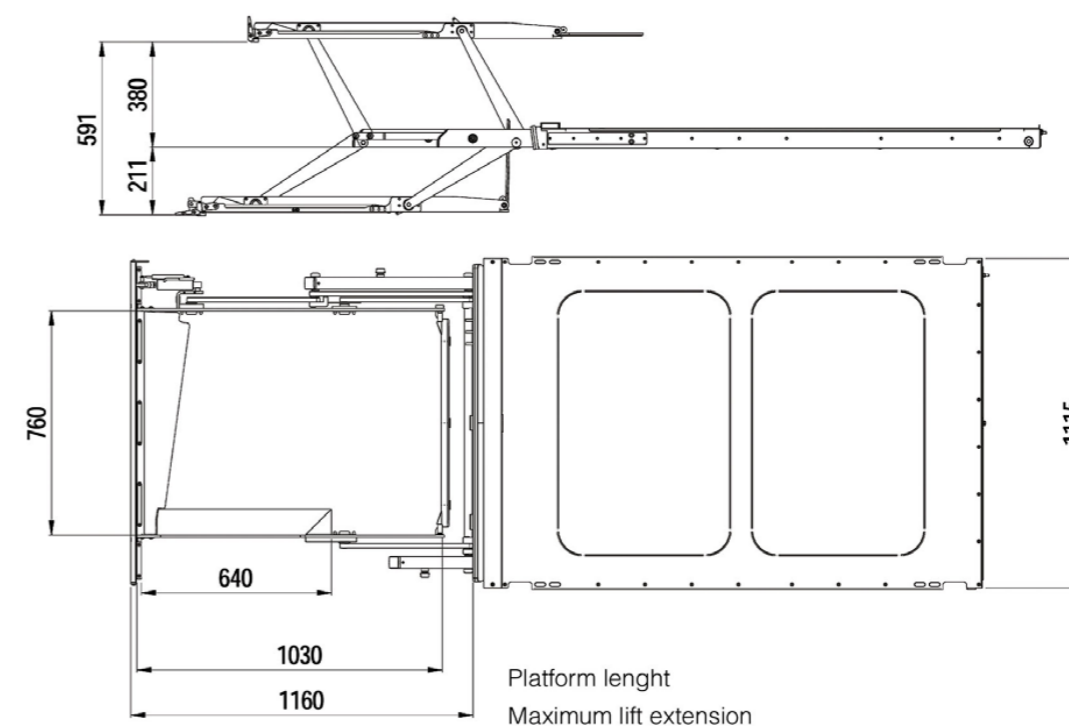
Platform is accessible sideways or frontally.

During raising and lowering the user faces the vehicle door in order to have the maximum space available.

The user can rotate safely on the platform surface when the lift is on the ground and not when the lift is at the maximum height.

OEM Fuel Tank and Exhaust remain intact.

Quick installation kits available for a large number of vehicles.



F6 Multilink EVO - Side Entry Technical specifications

Loading capacity 150 kg

Own weight < 140 kg

Platform dimension 760 x 1030 mm

Emergency auxiliary manual pump

UNDERFLOOR LIFT



Compatibilità Elettromagnetica

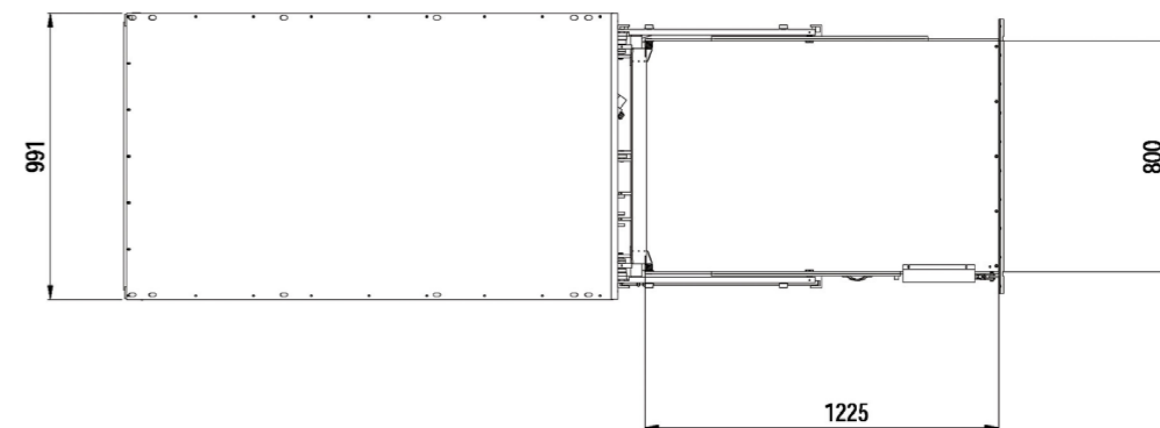
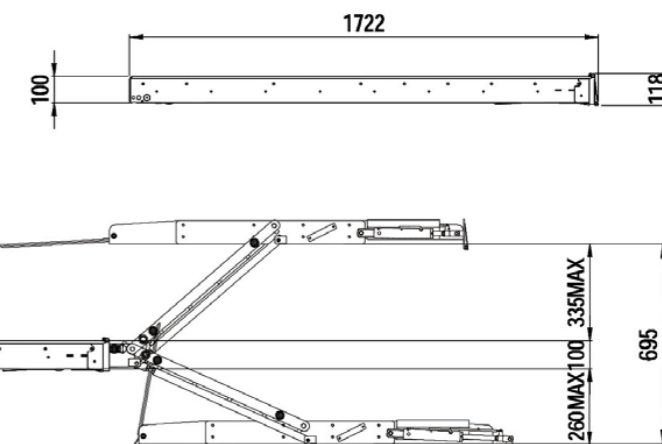


F 900 is a retractable, completely automatic underfloor lift made in stainless steel and aluminum to be fixed in the side of the vehicle. Thanks to the extremely slim dimensions of the cassette, **F 900** can be mounted on a wide range of vehicles for people transportation.

- Aluminum platform with warning lights
- Protection stainless steel cassette watertight with deep of 90mm
- Automatic safety-stop-plates for the wheelchair
- Powered through an electro-hydraulic unit and 2 cylinders
- Controlled through a 4 button pendant switch
- Auxiliary emergency hand pump

OPTIONAL

- Wireless remote control



F 900 Technical specifications

- Loading capacity 300 kg
- Own weight 140 kg
- Electrical system 12-24 Volt
- Max. pressure 180 Bar
- Platform dimension 1225 x 800 mm
- Max. floor height 695 mm
- Emergency auxiliary manual pump

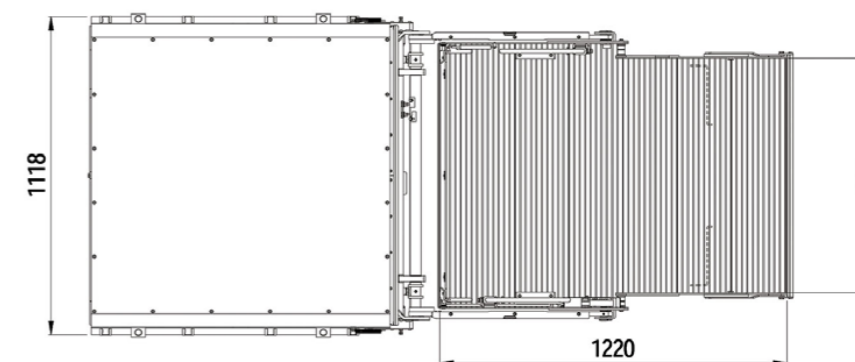
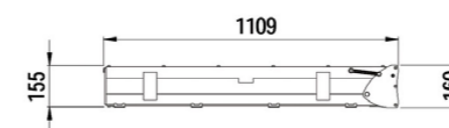
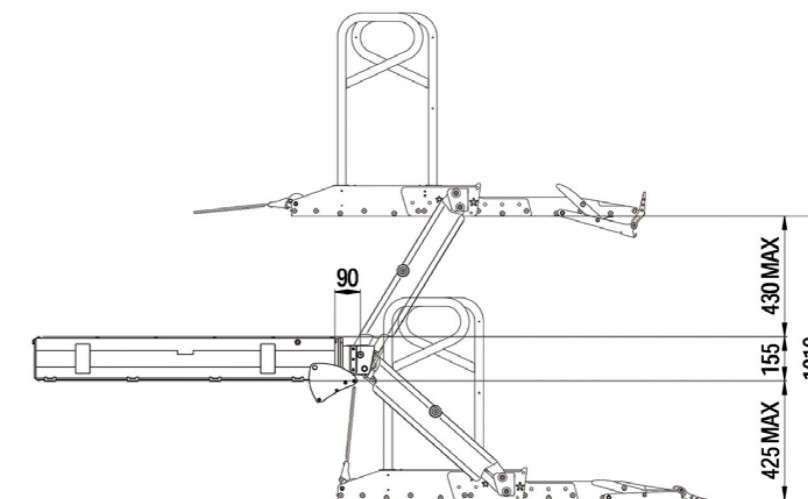
MINIBUS CASSETTE LIFT



- Platform with extruded aluminum antislip surface
- Watertight containment cassette
- Controlled with a 4 button pendant control switch
- Automatic front safety flap with mechanical operation
- Automatic and adjustable rear safety flap
- Auxiliary emergency hand pump

OPTIONAL

- Safety handrails on the platform
- Wireless remote control



SP 1100A is a semi-automatic retractable lift developed to be fitted in the side or rear under the vehicles floor. Thanks to the compact dimensions of the cassette and the different available lengths of arms, the **SP 1100A** is a lift suitable for a wide range of vehicles. The cassette and the platform of the **SP 1100A** is fully manufactured in aluminum that allows us to achieve a very low lift weight.

SP 1100A Technical specifications

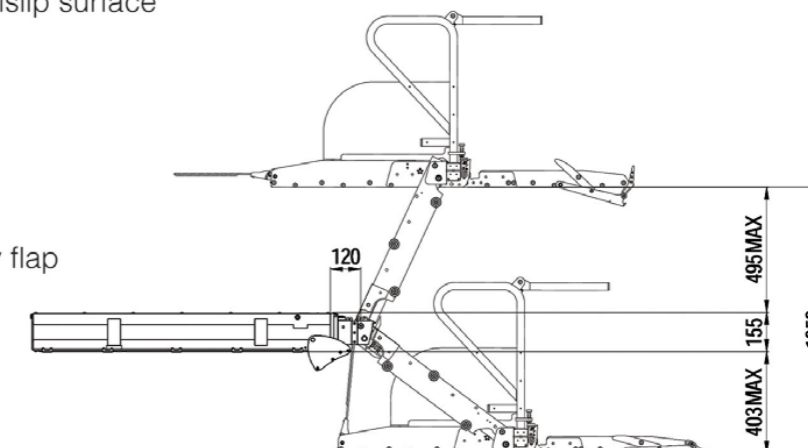
- Loading capacity 350 kg
- Electrical system 12/24 V
- Platform width 825 mm
- Platform length 1220 mm
- Own weight 145 kg

MINIBUS CASSETTE LIFT



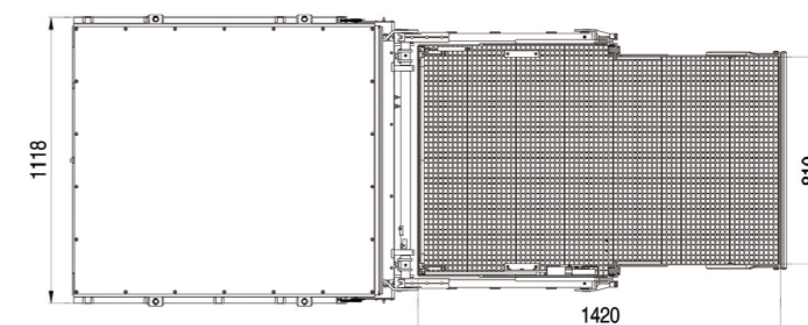
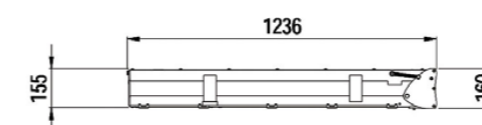
SP 1400A is a semi-automatic retractable lift with increased lifting capacity and larger platform, designed for side or rear installation. Thanks to its compact dimensions and increased up/down travel, **SP 1400A** is suitable for a wide range of vehicles. The lift main parts as platform and cassette are made of aluminum that allow to maintain very low the lift weight.

- Platform with extruded aluminum antislip surface
- Watertight containment cassette
- Controlled with 2 or 4 buttons pendant control switch
- Automatic front safety flap with mechanical operation
- Automatic and adjustable rear safety flap
- Auxiliary emergency hand pump
- Extended handrails



OPTIONAL

- Wireless remote control



SP 1400A Technical specifications

- Loading capacity 400 kg
- Electrical system 12/24 V
- Platform width 810 mm
- Platform length 1420 mm
- Own weight 400 kg

UNDERFLOOR LIFT

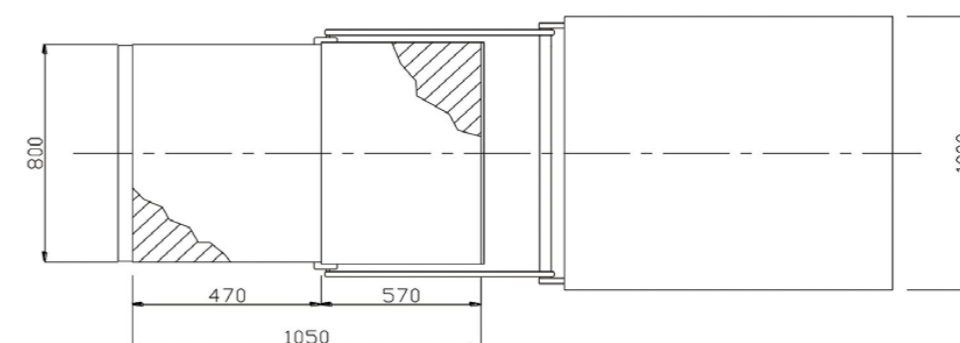
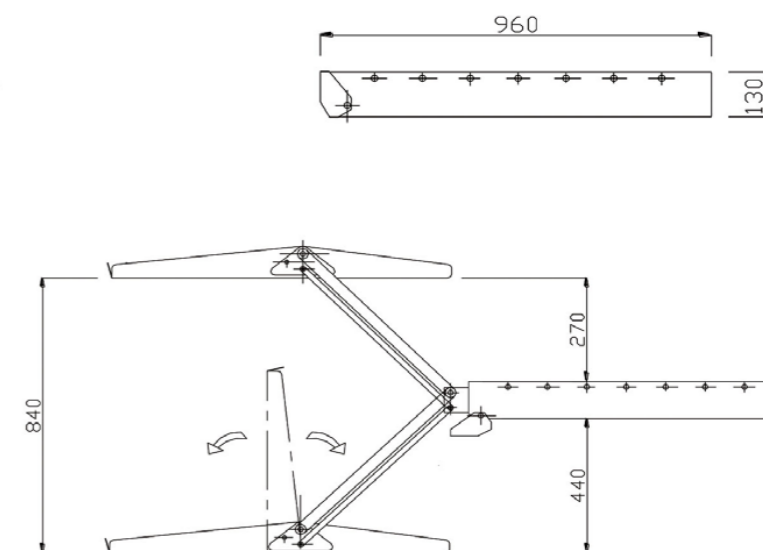


Electromagnetic Compatibility **E49**

- Platform with aluminum antislip surface
- Controlled by a 4 bottoms pendant switch
- Safety front and back flaps
- Auxiliary emergency hand pump

OPTIONAL

- Wireless remote control



SP 960 is a retractable half automatic lift developed to be fitted in the rear of the floor of the vehicles. Thanks to the compact dimensions of the cassette and to the different available lengths of the arms, **SP 960** it is available for a wide range of vehicles.

SP 960 Technical specifications

- Loading capacity 320 kg
- Own weight 140 kg
- Electrical system 12-24 Volt
- Max. pressure 140 Bar
- Platform dimension 1050 x 800 mm
- Max. floor height 830 mm
- Emergency auxiliary manual pump

UNDERFLOOR LIFT



Electromagnetic Compatibility

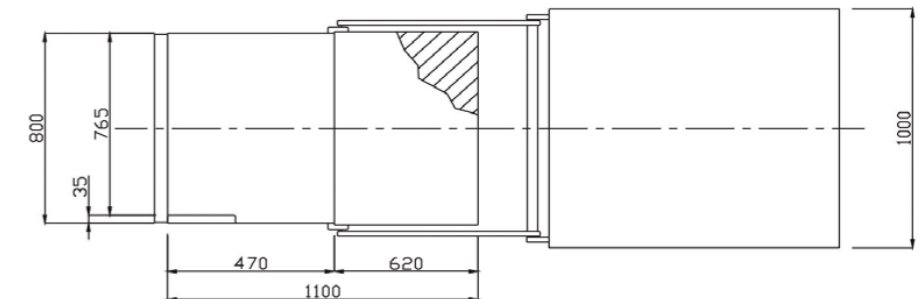
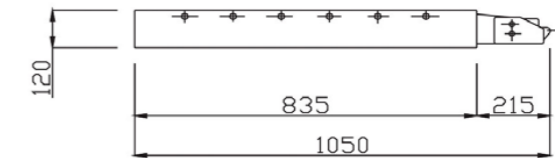
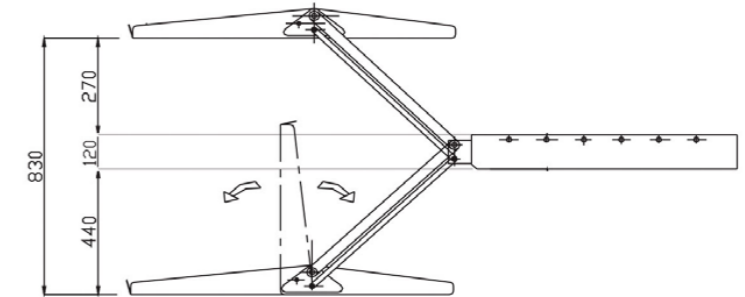


SP 860 is a retractable half automatic lift developed to be fitted in the rear of the floor of the vehicles. Thanks to the compact dimensions of the cassette and to the different available lengths of the arms, **SP 860** it is available for a wide range of vehicles.

- Platform with aluminum antislip surface
- Controlled by a 4 bottoms pendant switch
- Hydraulic safety front flap
- Auxiliary emergency hand pump

OPTIONAL

- Wireless remote control



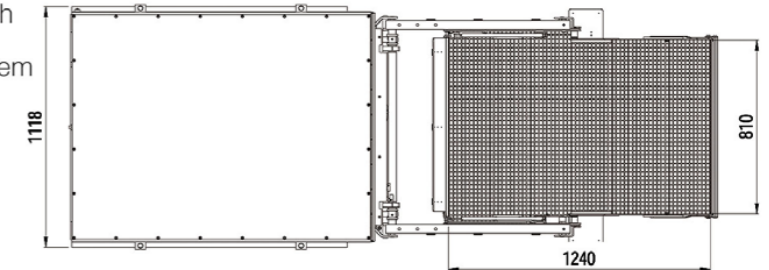
SP 860
Technical specifications

Loading capacity 320 kg
Own weight 140 kg
Electrical system 12-24 Volt
Max. pressure 140 Bar
Platform dimension 1100 x 800 mm
Max. floor height 830 mm
Emergency auxiliary manual pump

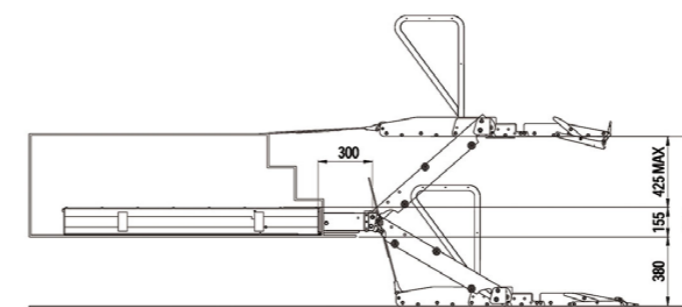
MINIBUS CONCEALED CASSETTE LIFT



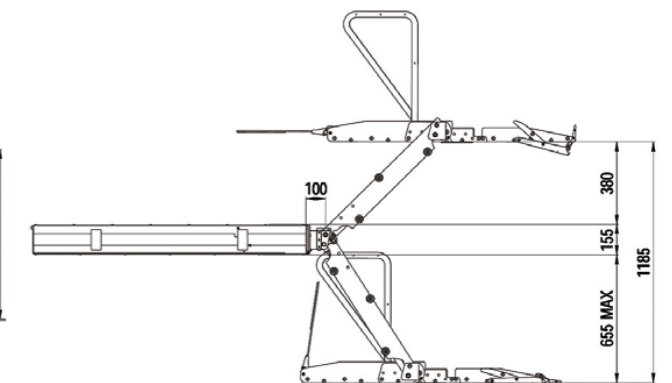
- Platform with antislip and draining surface
- Controlled with a 4 button pendant control switch
- Automatic front safety flap with mechanical system
- Automatic and adjustable rear safety flap
- Safety handrails on the platform
- Auxiliary emergency hand pump



STEP LIFT EXECUTION



CONCEALED LIFT EXECUTION



IP 1400A is a semi-automatic retractable lift developed to be fitted in the side or rear of the minibuses.

Thanks to the carriage movements and to the different arms lengths availability, **IP 1400A**, can be positioned as step lift or concealed between a vehicle raised floor and the outer chassis.

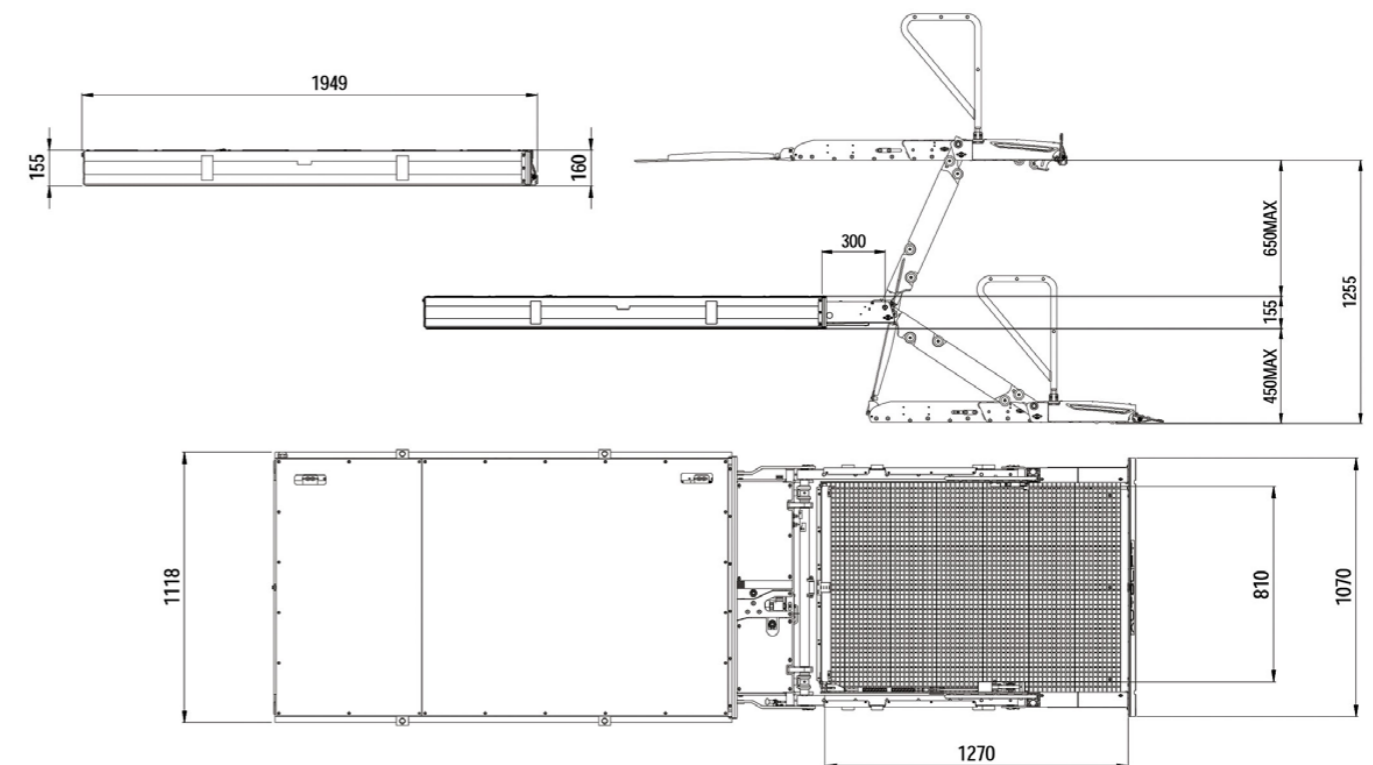
IP 1400A
Technical specifications

Loading capacity 350 kg
Electrical system 12/24 V
Platform width 810 mm
Platform length 1240 mm
Own weight 165 kg

THE COACH AND CITYBUS STEP LIFT



- Platform with custom made draining and antislip surface
- LED lights integrated in the platform frame illuminate the way to the lift
- Aluminum watertight containment cassette
- Multidrive Roll-Stop mechanism grants a leakage free and maintenance free function
- F12 Plug n' Play interface to the vehicle and the hydraulic unit built in the lift frame eliminate the need of electric / hydraulic installations in the luggage compartment
- Movable fixing supports reduce dramatically the installation time

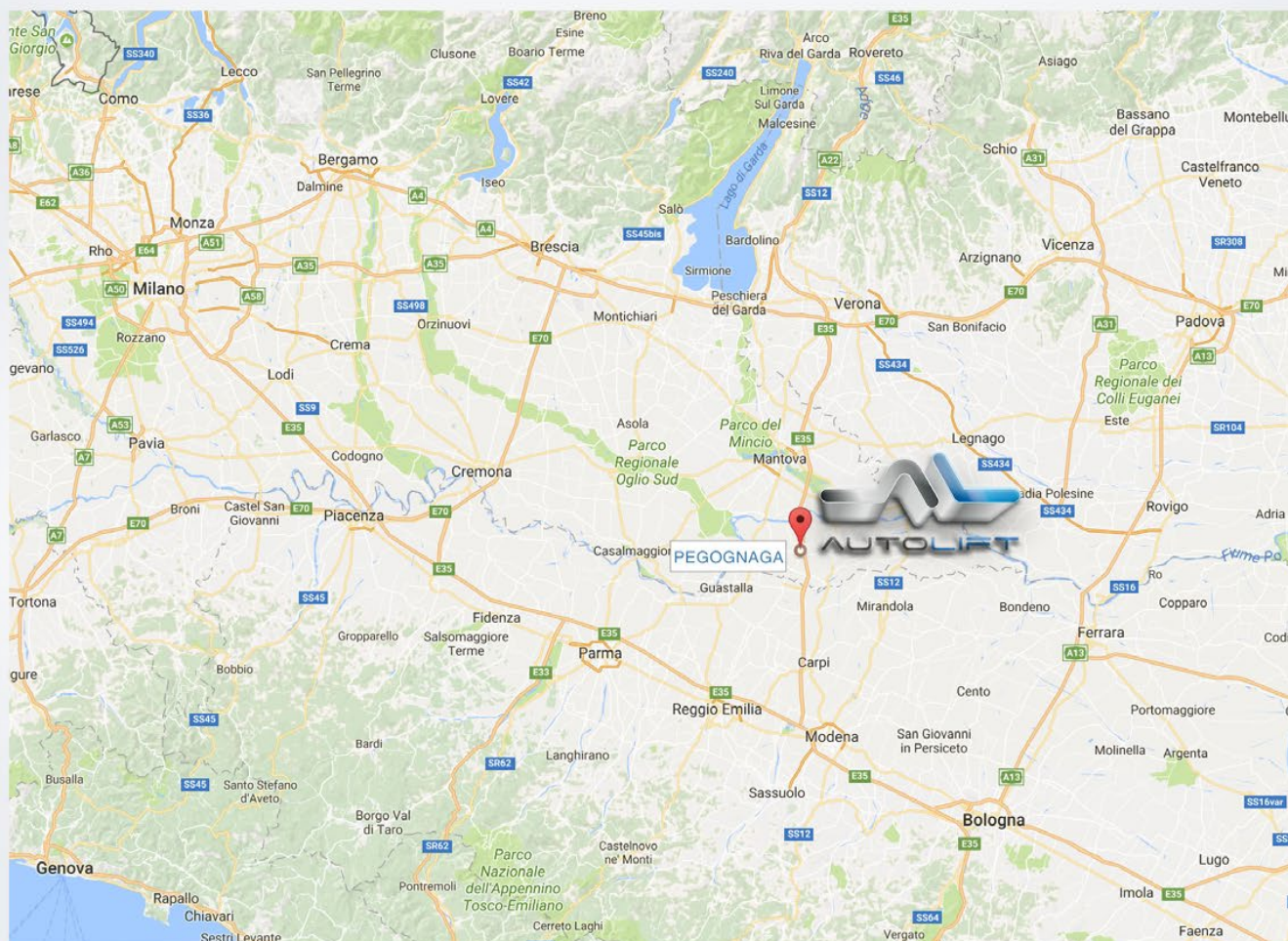


The lightest Bus Lift available on the market with the best in class aesthetic. F12 offers a platform with draining surface and LED illumination. Movable fixing supports and plug n' play connections grant a quick installation.

F12 Technical specifications

Lifting capacity 350 kg
Own weight < 200 kg
Platform dimension 810 x 1270 mm
Lifting height 1255 mm

WHERE WE ARE



Autolift S.r.l. is the leading Italian manufacturer of lifts, steps and assistance equipment for the transportation of disabled persons. All products are **MADE IN ITALY** and are marketed nationwide and throughout Europe. Our factory is located in Mantua, near the Pegognaga highway exit.

AUTOLIFT S.r.l.

Via B. Trentin, 8 - 46020 Pegognaga (MN)

Tel. +39 0376 550375 - Fax +39 0376 553728 - E-mail info@autoliftsrl.com

www.autoliftsrl.com