

NUVO Children's Height Adjustable Commode

The Nuvo Children's Height Adjustable Commode is height and width adjustable, with comfortable foam seating and backrest, to support children when toileting.

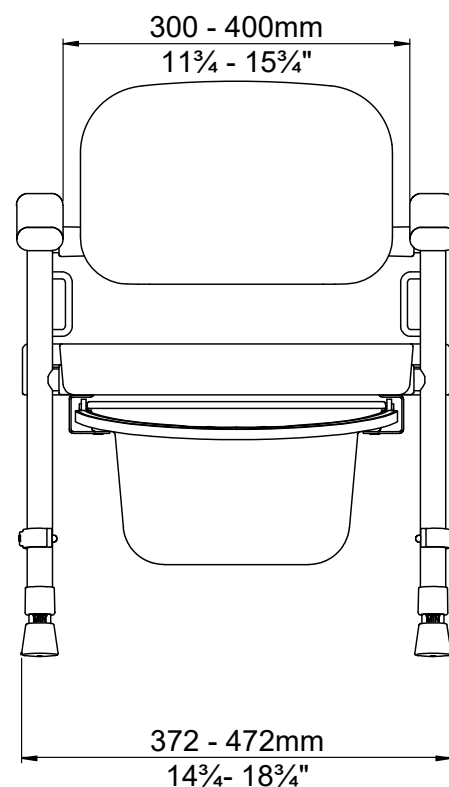
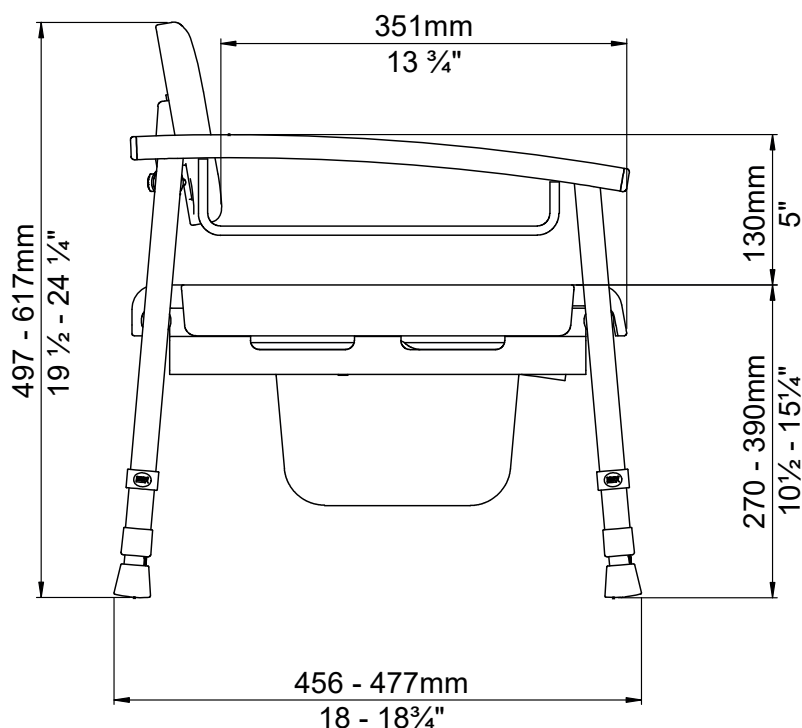


PRODUCT FEATURES

- Suitable for children aged between 7 and 12, with a maximum user weight of 100kg (15st).
- Height and width adjustable to accommodate your child's growth.
- Comfortable soft touch foam seat and backrest.
- Supplied flat-pack with no tools required for assembly.
- Slide out commode pan, makes emptying and cleaning easy.
- Optional adjustable lap strap available (N99091).
- Designed to complement the popular NUVO family of products.
- NRS Healthcare guarantee this product for a period of 12 months, from the date of purchase.

NUVO Children's Commode Specifications

Product Weight: 7.6kg



Also available from NRS Healthcare

**P05218 NUVO Petite
Children's Toilet Frame**



**P05229 NUVO Petite
Children's Toilet Platform**



**N72255 Children's
Shower Chair**



For more information or to place an order, please contact your local Regional Sales Manager or the NRS Healthcare Customer Service Team: 0345 121 8111
Email: customerservice@nrshealthcare.co.uk
For international enquiries, please telephone: +44 (0)1530 232 292
or email: exportsales@nrshealthcare.co.uk
www.healthcarepro.co.uk or www.completECAshop.co.uk



P77916

NUVO Height Adjustable Children's Commode

⚠ General Safety Warning ⚠

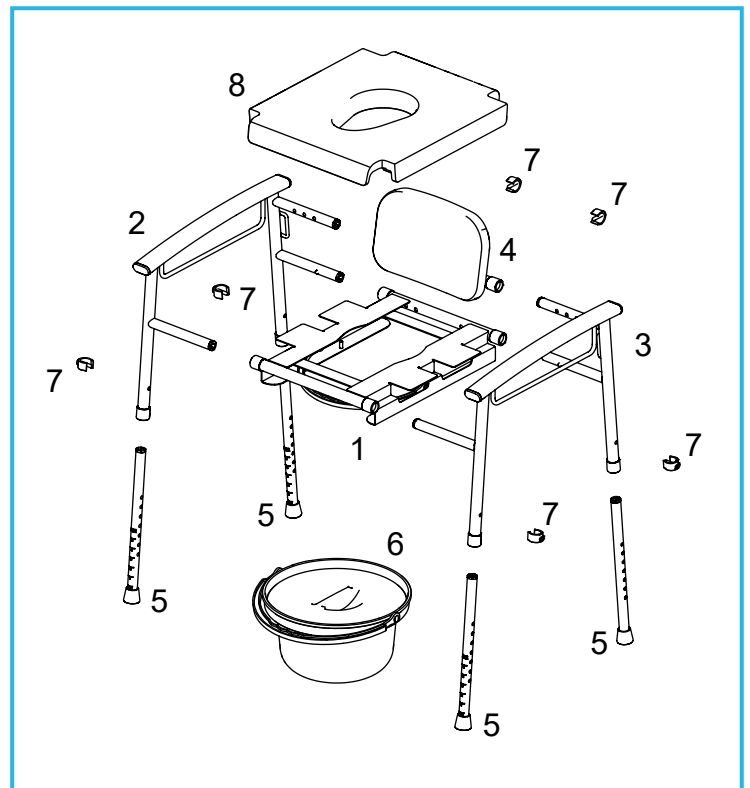
Please make sure that you read and follow these instructions carefully. Failure to do so can result in injury. Keep these instructions in a safe place for future reference.

Maximum User Weight



1. INTENDED USE

The NUVO Height Adjustable Children's Commode is designed to assist children who have difficulty in accessing or using a standard toilet. It has a backrest, width adjustable armrests and an optional lap belt (N99091) to give additional support if required.



2. SAFETY

Warning: The maximum user weight must not be more than 100Kg (15st).

- To avoid trip hazards, make sure the route to the commode is clear of obstacles.
- Routinely check ferrules for wear.
- Routinely check all e-clips are present.
- Make sure the seat is wiped with an antiseptic wipe after use.
- Do not stand on the commode under any circumstances, failure to comply can result in serious injury.
- Do not lean backward, this can cause the commode to tip over.
- If damage is found, stop using the commode and contact your supplier immediately for advice.

3. UNPACKING

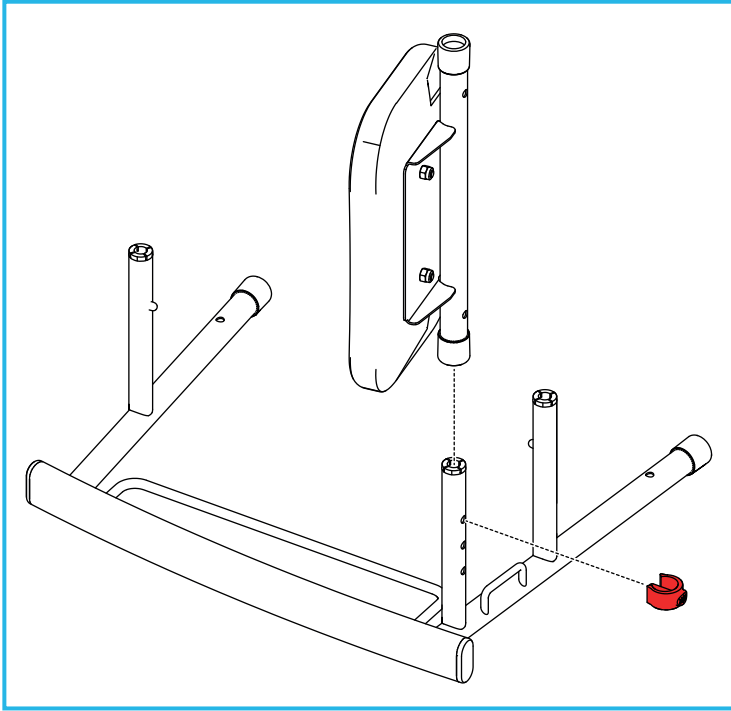
Remove the packaging and check all parts carefully. Contact your supplier immediately if parts are missing or damaged and do not try and assemble.

3.1 Contents:

1. Seat-frame Assembly x 1
2. Side-frame Assembly (RH) x 1
3. Side-frame Assembly (LH) x 1
4. Backrest Assembly x 1
5. Legs x 4
6. Commode Pan and Lid x 1
7. E-clips x 6
8. PU Padded Seat Moulding x 1

4. ASSEMBLY/INSTALLATION

4.1 Fitting the Backrest Assembly to the LH Side-frame Assembly:

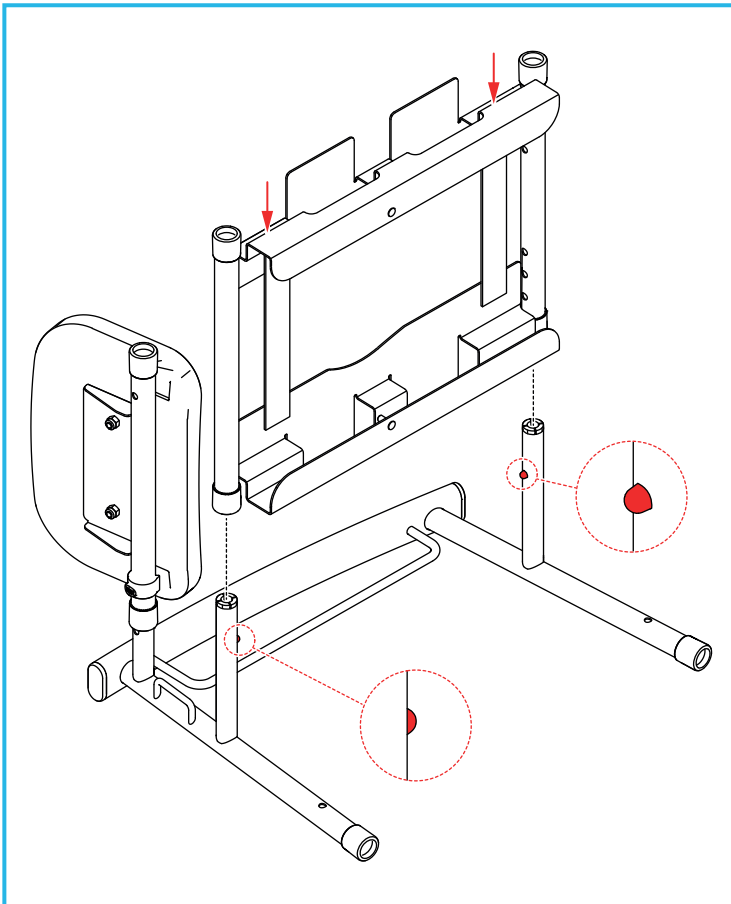


Slot the backrest assembly onto the side-frame assembly (LH) and secure with 1 x E-clip.



The commode has 3 width settings. The backrest assembly is shown as being fitted at the widest setting.

4.2 Fitting the Seat-frame Assembly:



Slot the seat-frame assembly onto the LH side-frame assembly.

Push and hold the button clips, then push down on the seat-frame assembly until the button clips click into the correct hole positions.

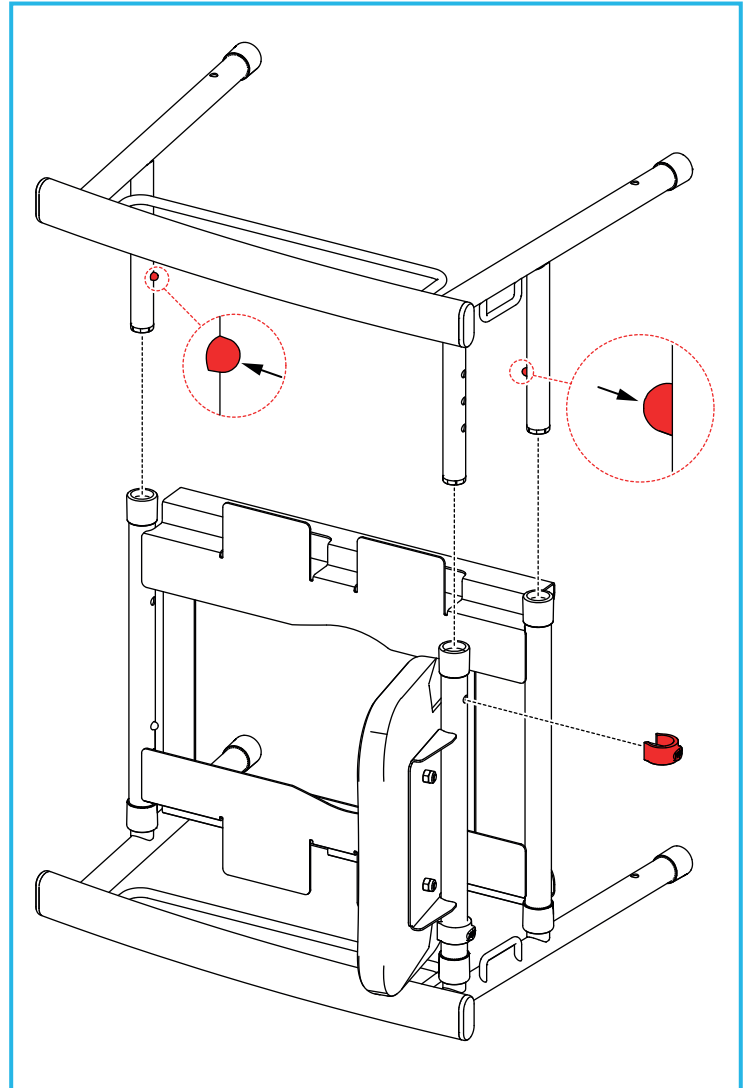


The seat-frame position must align with the back-rest position or the RH side-frame assembly will not fit correctly.

4.3 Fitting the RH Side-frame Assembly to the Backrest/Seat-frame Assembly:



If you are fitting the side frames on the narrowest setting, NRS recommends fitting the padded seat moulding before fitting the RH side-frame assembly.



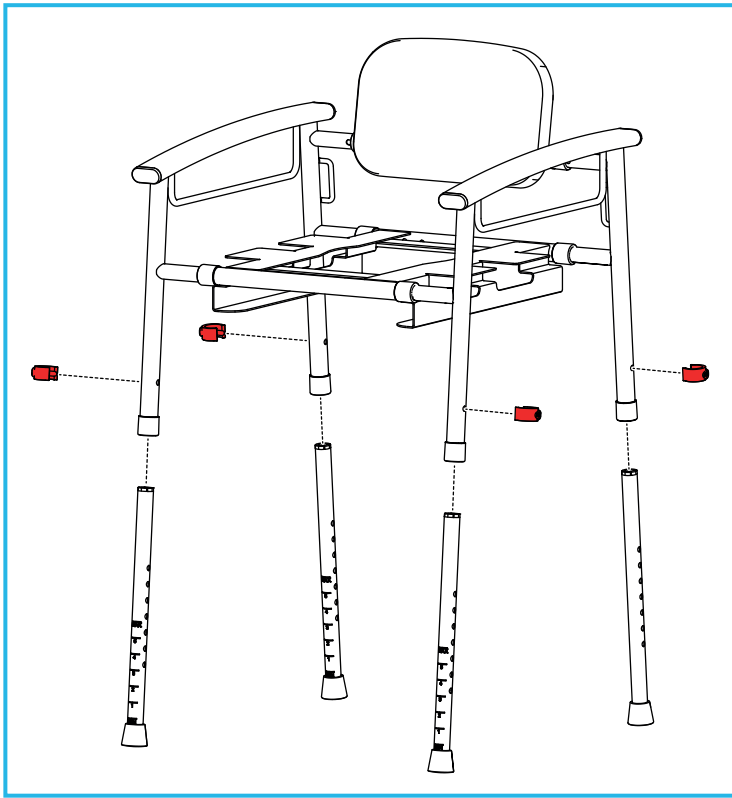
Slot the RH side-frame assembly into the seat/backrest assemblies.

Push and hold the button clips, then push down on the RH side-frame assembly until the button clips click into the correct hole position.



The RH side-frame position must be set to the same width position as LH side-frame assembly.

4.4 Fitting the Legs:

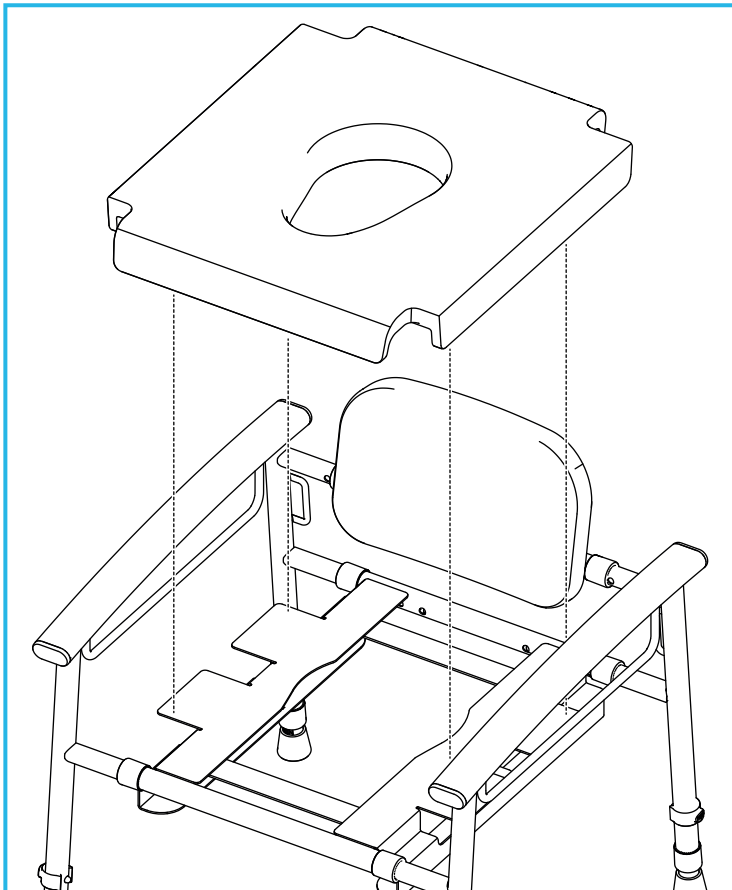


Insert the legs into the side frame assemblies and secure with 4 x E-clips.



Make sure that all legs have been adjusted to the same height.

4.5 Fitting the Padded Seat:

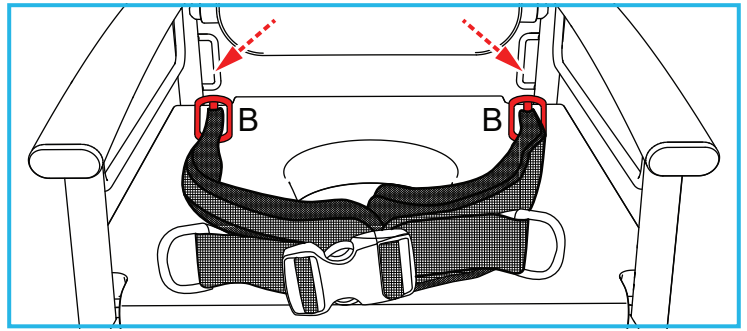


Fit the padded seat to the seat frame assembly.



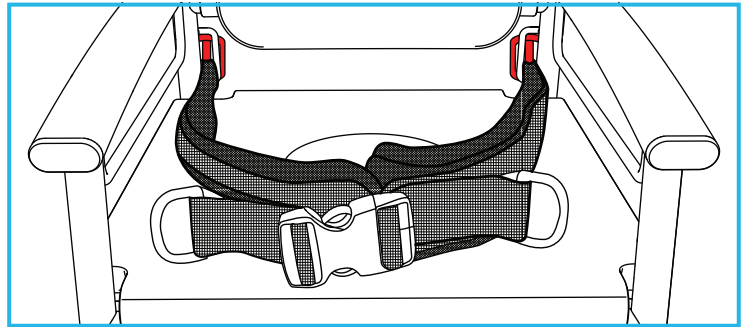
Make sure the commode is fully secure before use.

4.6 Fitting the Optional Lap Strap (N99091)



To fit the lap-strap, feed the two rear buckles (B) through the slots in the seat.

The buckles (B) must be pushed fully through the slots, by rotating them through 90 degrees.



Pull the straps from the front to locate the buckles (B) as shown. Make sure the buckles cannot pull through the seat, by tugging firmly.

4.7 Fitting the Commode Pan:

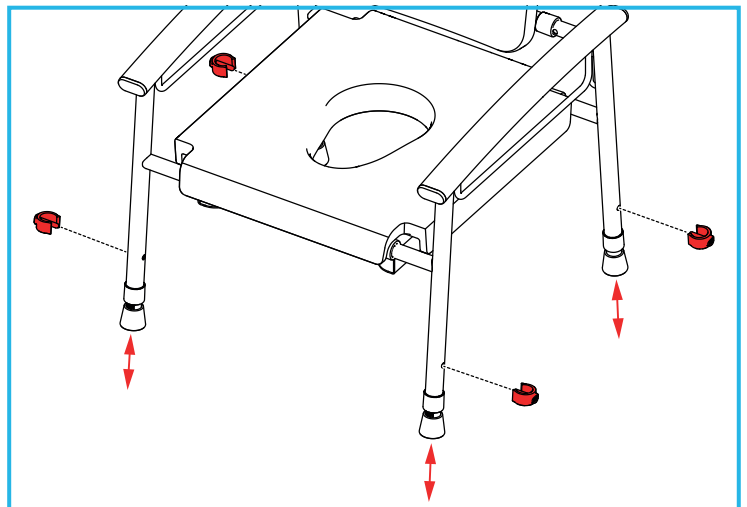
Slide the commode pan into the rails on the seat assembly.



The commode pan is held in place by retainer pins, pull forward to release.

5. ADJUSTING THE COMMODE

5.1 Adjusting the Height:



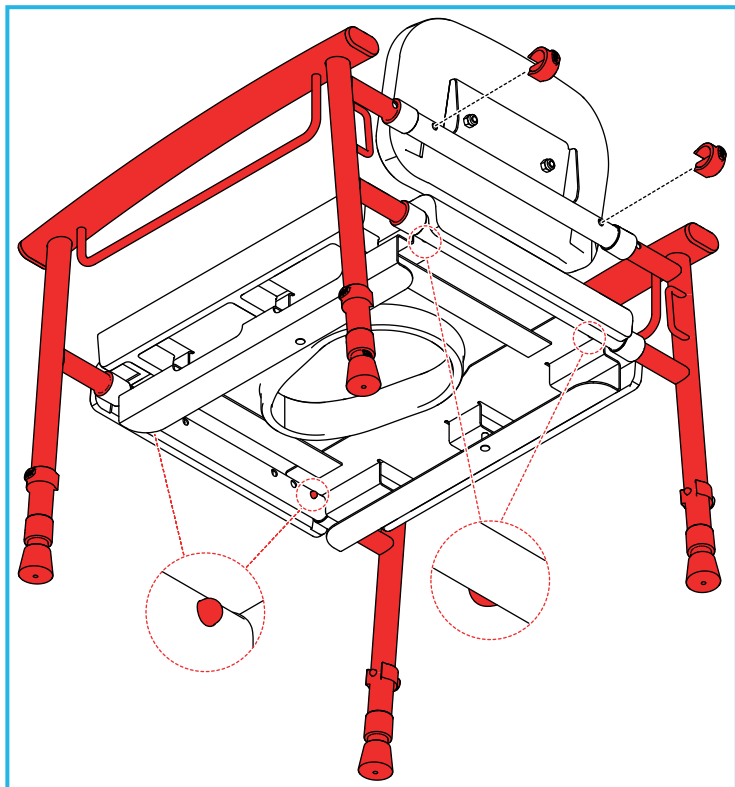
Remove the 4 x E-clips and adjust the legs to the desired height.

Replace the 4 x E-clips.



Make sure that all legs have been adjusted to the same height.

5.2 Adjusting the Width:



Remove the 2 x backrest E-clips.

Push and hold the spring clips to release each section of the side-frame assemblies and adjust to the desired width.

Line up the holes in the backrest and replace the 2 x backrest E-clips.

5.3 Adjusting the Optional Lap Strap (N99091)

To adjust, please refer to the user instruction provided with the lap strap.

6. MAINTENANCE

Inspect the product regularly for signs of wear or damage, pay particular attention to the condition of the castors and plastic joint spacers.

Any suspected faults or damage must be reported to the supplier and the product taken out of use immediately.

Check that all fixing and button clips are fitted correctly with no excessive movement.

7. CLEANING

Clean regularly using a general purpose, neutral detergent and warm water.

Please check the suitability of the cleaning product before use. Do not use abrasive cleaners or cloths as these could permanently damage the surface and invalidate any warranty.

To disinfect, wipe with a dilute bleach solution, and rinse thoroughly with fresh water.

This shower chair is suitable for thermal decontamination and can be steam cleaned or autoclaved on cleaning cycles up to 80°C.

Allow product to fully dry prior to use/storage.

8. ACCESSORIES & SPARE PARTS

N99091: NRS Lap Strap (medium)

P77928: Spare Commode Pan

P11668: NUVO Spares Kit (oval end caps x 4, replacement ferrules x 4, E-clips x 4, anti rattle collars x 4).

For more details please visit our website or call Customer Services.

9. PRODUCT DISPOSAL

This product should be thoroughly cleaned prior to disposal.

This product is manufactured from metal and plastic and can be disposed of through Local Authority Household Waste and Recycling Centres or through Local Trade Waste Collectors.

10. PRODUCT GUARANTEE

NRS Healthcare guarantee this product for a period of 12 months, from the date of purchase, against faulty materials and workmanship.

This guarantee does not cover; abuse, misuse, interference or tampering with any part of the product.

Any guarantee issued by NRS Healthcare does not affect your statutory rights.

NRS HEALTHCARE Sherwood House, Cartwright Way, Forest Business Park
Bardon Hill, Coalville, Leicestershire, LE67 1UB, UK.

Tel: Customer Services: 0345 121 8111

Email: customerservice@nrshealthcare.co.uk

NRS Healthcare is a leading supplier of community equipment and daily living aids.
Please visit one of our websites to view our full range of products:
www.healthcarepro.co.uk or www.completecareshop.co.uk