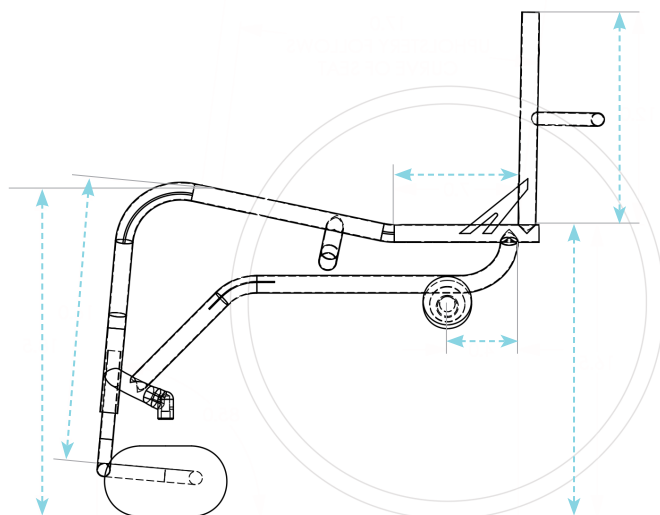
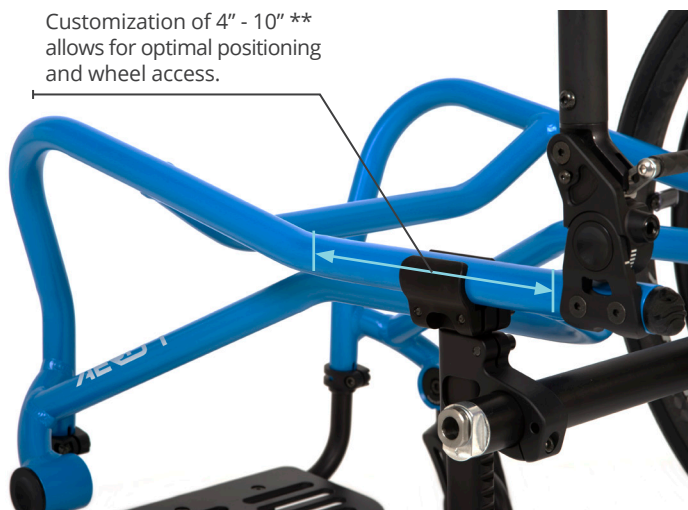


Ergonomic seating

Decisions made when configuring a customized manual wheelchair impact each individual's long-term mobility. Critical to that configuration is the utilization of seat slope. The ergonomic seat can create the desired support you would expect from seating and positioning accessories.



Customization of 4" - 10" ** allows for optimal positioning and wheel access.



Custom ergonomic wheelchairs

With customized measurements and personalized evaluation, the ergonomic advantage may provide*:

- Enhanced rear wheel access
- Increased push efficiency and trunk mobility
- Promoted pelvic stability for decreased friction
- Support of neutral/normal spinal curves
- Accommodation of redundant tissue or abdominal girth

Positioning matters

The ergonomic seat can positively impact body functions and structures, improve functional activities, and enhance participation by increasing comfort and stability.

Don't forget to further enhance the seating system with the selection and placement of your back support and pressure distributing cushion!

**Improve posture, enhance function...
utilize your advantage.**



AVAILABLE ON: TiLite TR, TRA, ZR, ZRA, Aero Z, and Aero T!

*(van Breukelen, K., 2010)

**Measurement determined by evaluation and TiLite model specifications and limitations