

Wispa Hoist & Sling Range



Moving and Handling Solutions



Made in the UK

Wispa Hoist Range

Moving and handling solutions for home, leisure and caring environments

Healthcare providers have been working towards safer patient handling policies since the inception of the Manual Handling Operations Regulations. The Health and Safety Executive has stated that handling heavy or awkward loads, poor work postures, or repetitive movements can result in musculoskeletal disorders, including back injuries, pain and muscle strain. The risk of sustaining injury can be greatly reduced by selecting appropriate moving and handling equipment and by using it effectively.

There are a number of factors which should be considered when choosing suitable hoisting equipment, such as the environment, type of disability, size and required level of independence of the person to be hoisted, carer physical strength and size are also important factors which should influence selection. This assessment of circumstance combined with the vast array of equipment available can make hoist selection a daunting prospect. Chiltern Invadex have a team of experienced Surveyors who are available to conduct free of charge site visits to provide advice on the most suitable piece of equipment to meet user needs and property constraints.

Hoist Range

Wispa Mobile Hoist



WispaLite Portable Hoist



Wispa 100+



Wispa 300



Safety

The Chiltern Invadex range of moving and handling equipment has been carefully designed and tested to meet the requirements of BS EN ISO 10535 and carries the **CE** mark in accordance with the Medical Devices Directive. Hoist performance is continually monitored through extensive on-going field trials and trend analysis.

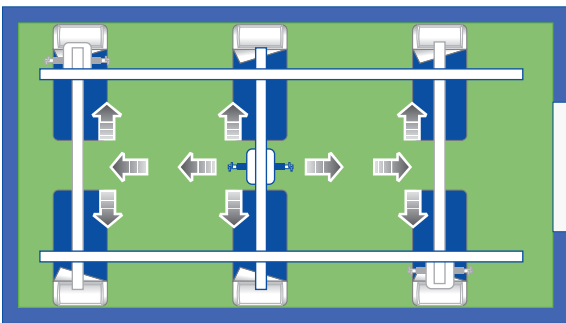
Every hoist is subject to rigorous testing prior to leaving our Oxfordshire manufacturing base.

Versatility

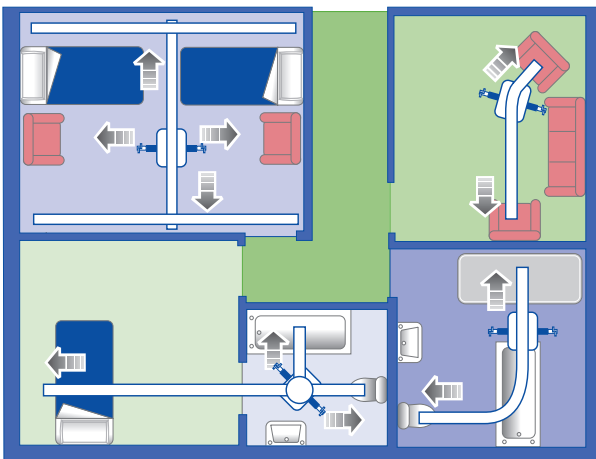
Flexible design means that the Wispa range of track hoists can be ceiling, wall or gantry mounted.

A range of track accessories including bends, turntables, through door and X-Y systems provide the versatility to suit almost any situation.

X-Y systems offer complete room coverage and have the option for powered or manual traverse.

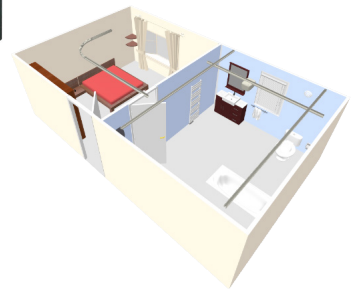
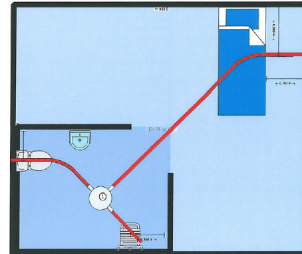


Combinations of equipment allow hoist installations to be designed to suit various property layouts including allowing access to the most confined areas such as en-suites, where limited space may hinder the use of a mobile hoist.



Survey and Architect Guidance

Chiltern Invadex employ a nationwide team of experienced technical surveyors who are able to conduct site visits to assist with the specification of equipment and advise on structural requirements. A scale plan of the proposed layout can be provided along with CAD drawings for incorporation within Architects drawings and 3D representations.



A detailed specifiers guide is available to assist architects and scheme designers. To obtain a copy please email technical@chilterninvadex.co.uk.

Installation

Our engineers are experienced in the safe and efficient installation of lifting equipment in a variety of environments including;

- Occupied domestic properties
- Hospital wards and nursing homes
- Schools, colleges and universities
- Sports facilities and hydrotherapy pools
- Offices and public buildings
- Changing Places developments
- Construction and refurbishment sites (1st and 2nd fix works can be arranged)
- Mobile homes, stables and boats

The company is CHAS, Constructionline and NICEIC accredited.



Wispa Lite Portable

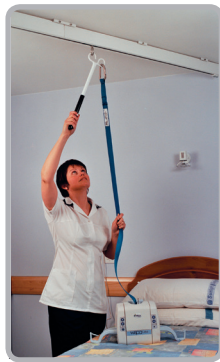
The Wispa Lite Portable Hoist combines lightweight construction with an integral carry handle enabling easy transportation between different locations. Its simple relocation from room to room negates the need for multiple hoist units.

The Wispa Lite can be used with a full ceiling track installation or free standing gantry system offering controlled transfer from bed to chair; ideal for temporary/short term use as no property adaptation is required.

The compact hoist houses a powerful lift providing controlled lifting for users up to 31 stone (200kg).

Carer Friendly

With its integral ergonomic handle, the Wispa Lite is easy to carry, attach and remove from the ceiling track. Optional attachment handle and lanyards enable comfortable attachment to high ceilings without over reaching or stretching.



The Wispa Lite can be operated using the clearly identifiable buttons on the ergonomically designed handset or by the hoist control panel, thereby reducing risk of not lifting/lowering clients if the handset is lost or damaged.

Visual and audible warnings indicate faults and battery status giving a clear indication of when the hoist should be recharged. The Wispa Lite can simply be plugged into the nearest mains socket and can be fully charged within 2 hours.



User Comfort

Soft start/stop lifting for added user comfort, safety and control.

Enhanced sling attachment design offers wider sling positioning to improve user comfort, whilst providing maximum head clearance.

A room to room transfer system allows the hoist and user to move freely between rooms without the need for repositioning.

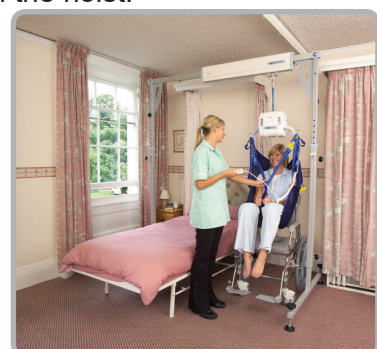


Safety

An upper limit switch prevents the lifting tape from over winding into the case and up to the ceiling track.

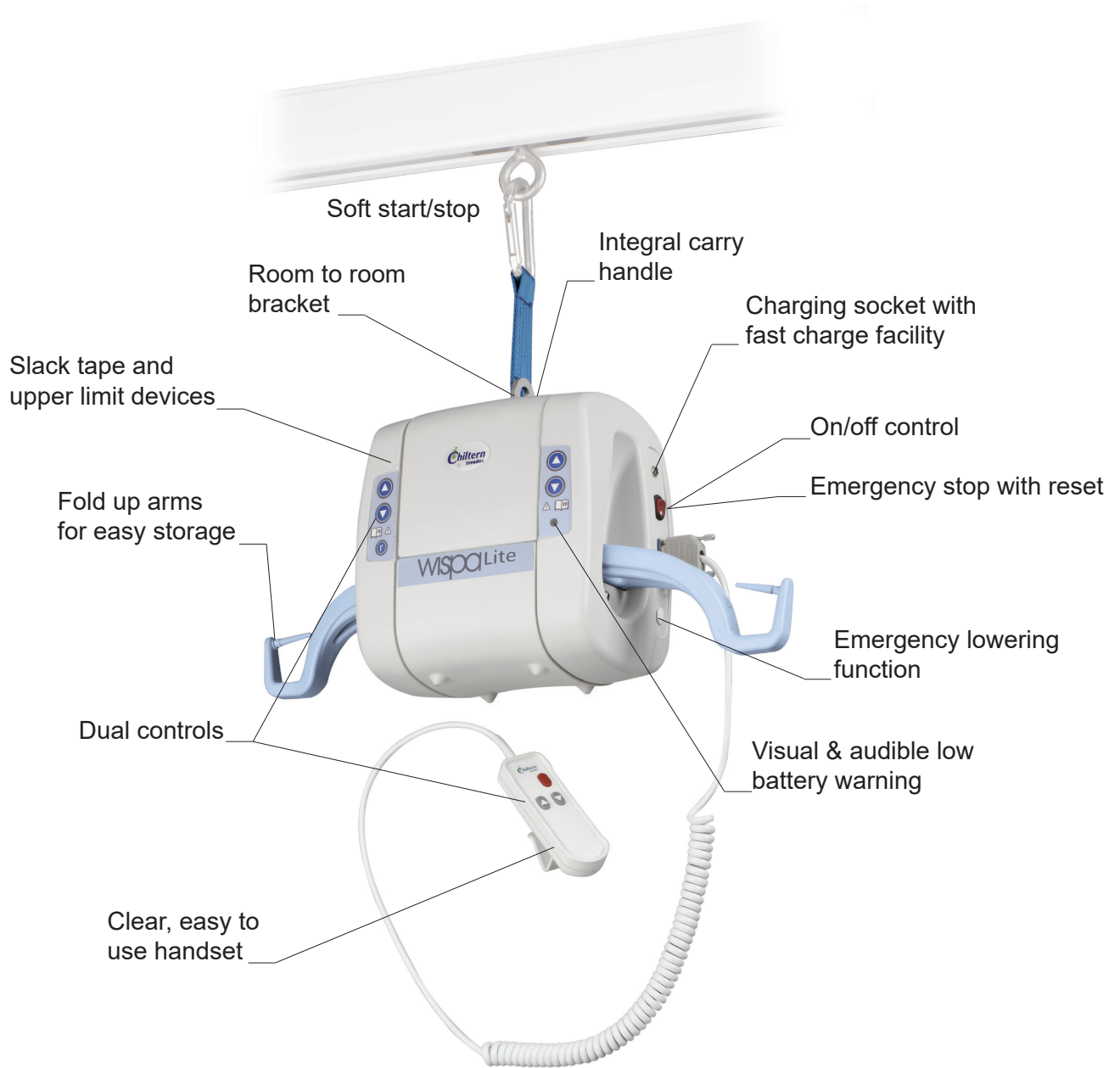
The slack tape device prevents the lifting tape from winding out of the cassette when an obstruction is encountered during lowering, preventing jamming of the tape.

In the event of hoist failure, the Wispa Lite is fitted with an emergency lowering switch providing safe, controlled descent. An emergency stop with reset facility provides safe operation, should an emergency arise. The hoist is easily reset via the handset or controls on the hoist.

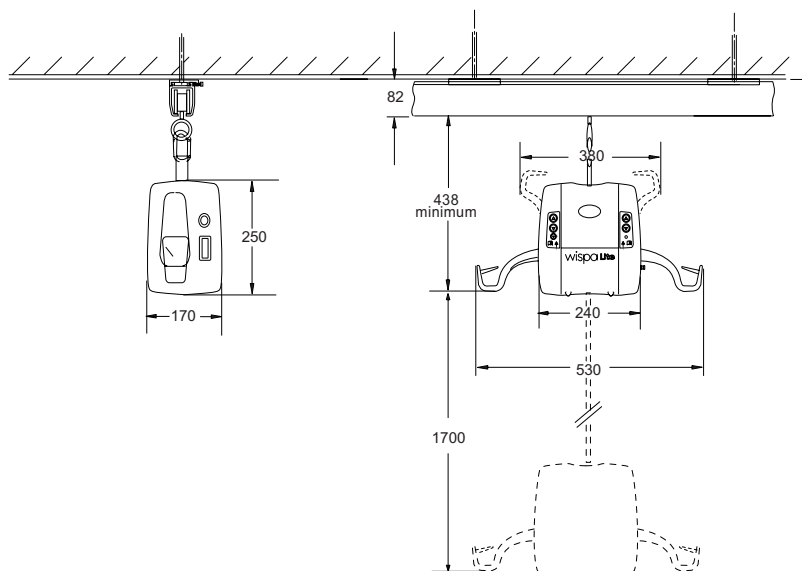


Wispa Lite Portable

Hoist Features



Technical Information



Wispa 100+ Range

The Wispa 100+ range of ceiling mounted hoists provides safe and comfortable lifting combined with simplicity of use.

Models and Lifting Capacity

Wispa 100+ 20 stone (130kg) (286lb)

Wispa 100+ Turbo 31 stone (200kg) (440b)

Each provides safe and controlled transfer from the bed, chair, floor, toilet or bath at the touch of a button.



The hand control features light touch pneumatic buttons creating a safe operating system, ideal for bathing, and incorporates colour coded buttons which correspond to coloured arrows on the hoist to give clear indication of the direction of travel.



Power options to suit

Mains powered transformer models (W, WL) have no battery to recharge and are ideal for tracks up to 3 metres.

Battery models (WB, WLB) offer increased options for track length and layout with their own independent power supply on board.

Economical and simple to recharge

Always ready to go, Wispa is easy to charge. Simply return the hoist to the track end to start the charging process.



Safe, controlled handling

Limiting device - to stop the maximum load being exceeded.

If the operator is distracted a limit switch prevents the patient being raised too high or lowered too far.

Emergency stop with reset facility - should an emergency arise, this simple feature provides reassurance for both user and carer.

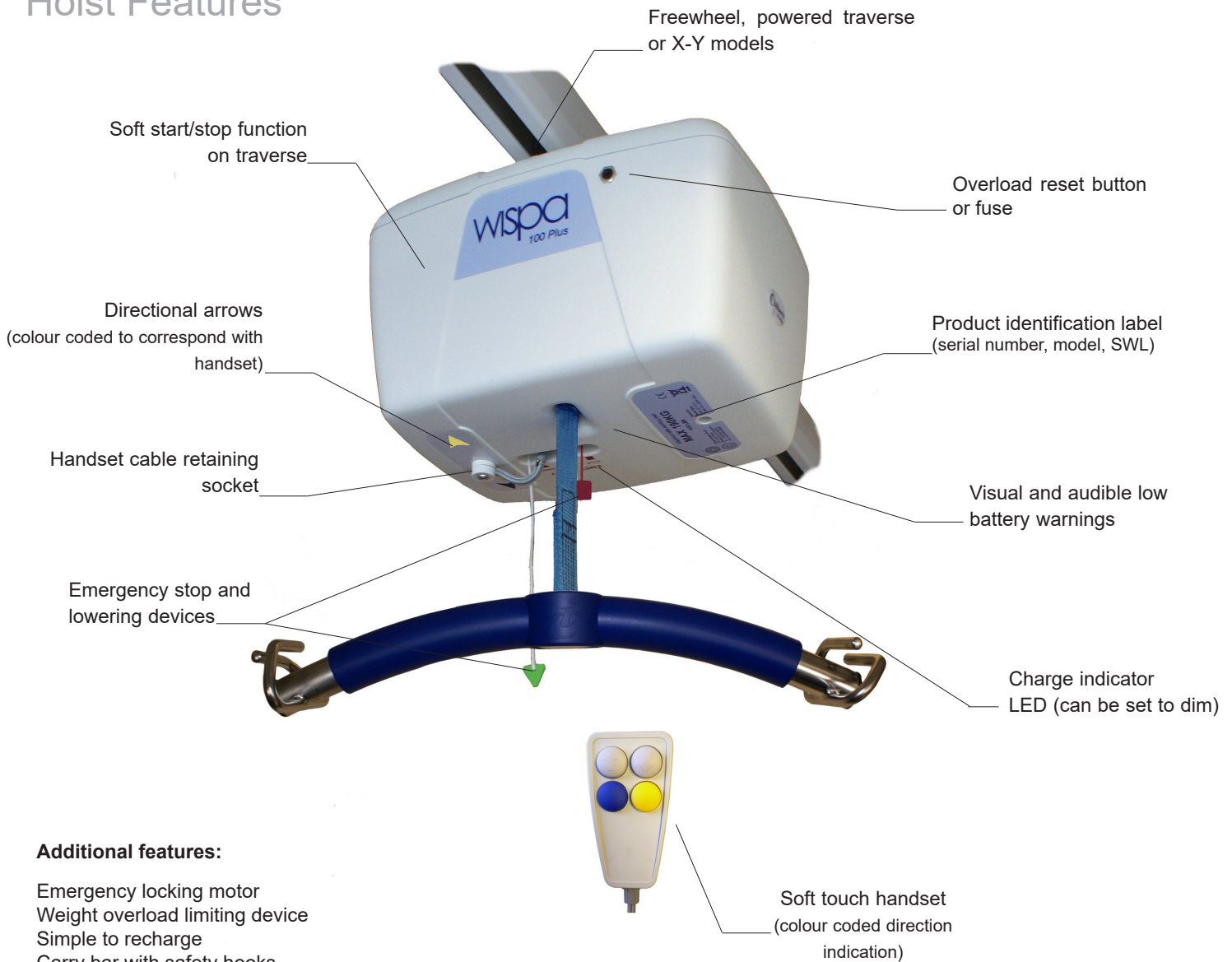
Emergency lowering - in case of battery failure a lowering device is fitted.

Lift motor has a self lock facility - to prevent the user being lowered unintentionally.



Wispa 100+

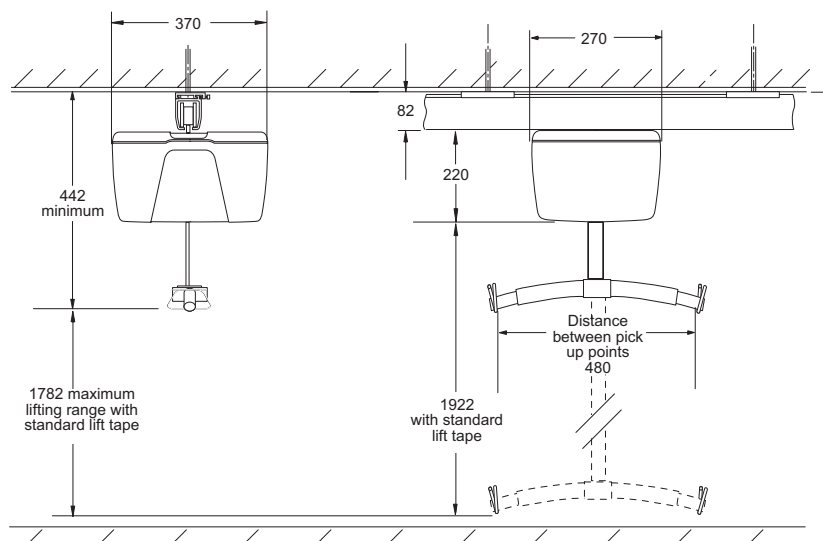
Hoist Features



Additional features:

- Emergency locking motor
- Weight overload limiting device
- Simple to recharge
- Carry bar with safety hooks, (designed to prevent sling loops detaching)
- Available in both, 130kg (20st) & 200kg (31st) safe working load versions
- Hoist idle alarm

Technical Information



Wispa 300 Series

One unique range, six different model options. Each intelligently designed to suit both client and carer. Introducing the Wispa 300 range, the safe, powerful solution to moving and handling, with enhanced performance features as standard.

Aesthetically designed, the Wispa 300 provides a neat and unobtrusive system, for controlled transfer from the bed, bath, wheelchair or floor.

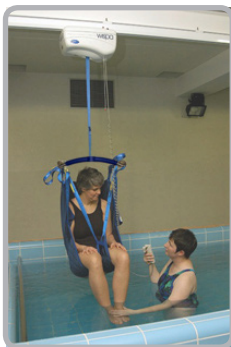
Model and lifting capacity

300 Series 42 stone (272kg) (599lb)
Bariatric model with heavy duty gantry 70 stone (445kg) (981lb) shown below



Various options are available to suit the needs of the client, carer and property restrictions.

- Freewheel (powered lift with manual traverse)
- Powered lift and traverse
- XY configuration for full room coverage
- Infrared handcontrol option
- Can be treated for use in swimming and hydrotherapy pools



Simple to recharge via the intrack charging dock, the hoist can provide upto 250 consecutive lifts of 75kg prior to activation of the low battery warning device.

Safety

A limit switch prevents the client from being lifted too high or lowered to far should the operator be distracted.

In the unlikely event of a battery failure the emergency stop/lowering function is conveniently located on the underside of the hoist for ease of access and safe, controlled descent.

A separate emergency lowering battery ensures that the emergency lowering facility is always ready for use.



The soft start/stop function provides controlled movement and positioning with no abrupt stop at the end of travel.

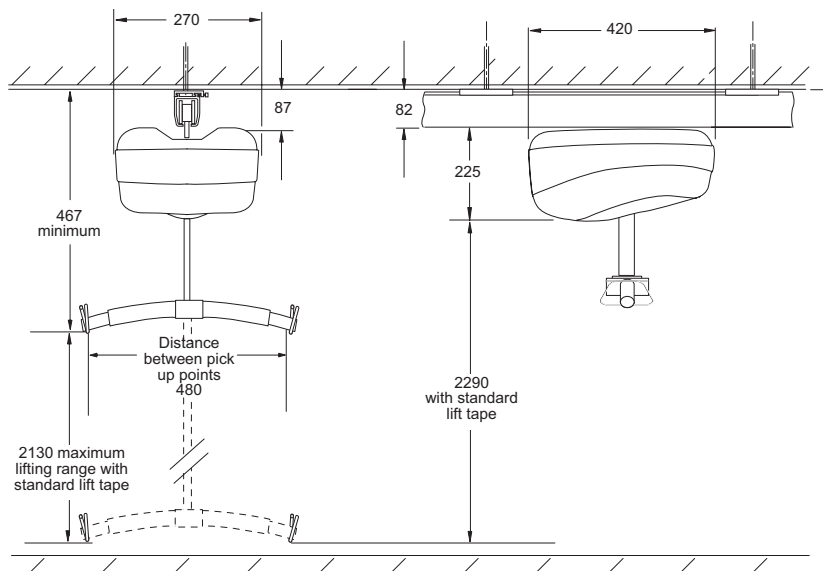


Wispa 300 Series

Hoist Features



Technical Information



Wispa Mobile Hoist

Mobile hoists are the perfect solution where ceiling track systems are not possible due to property or budget constraints. Requiring no installation or property adaption they are ideal for both temporary and permanent use.

The Wispa mobile hoist is operated using a reliable electric actuator has a safe working load of 25 stone (158kg).



Easy Steer

The straight steering device and large ergonomic handle allow easy transportation from one area to another.

Secure

Braked castors ensure that the hoist be locked into position as required.

Adjustable Legs

Legs can be opened to fit around a wheelchair or toilet pan and can be closed to fit through a narrow doorway.

Interchangeable Battery Packs

To ensure that the hoist is always ready to lift, battery packs can be easily changed to provide continuous power whilst other packs charge.

Extensive Lifting Range

Provides an effective solution to transferring or hoisting from the bed, chair, bath, toilet or floor reducing the risk associated with manual handling.

Reliable

Able to provide upto 100 lifts from a single charge, the Linak battery pack and actuator provide an efficient and reliable lift.

Emergency Lower

In case of battery failure the actuator provides both powered and manual lowering devices.

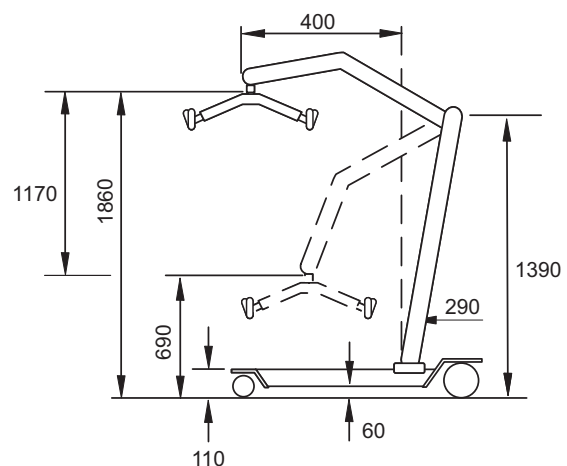
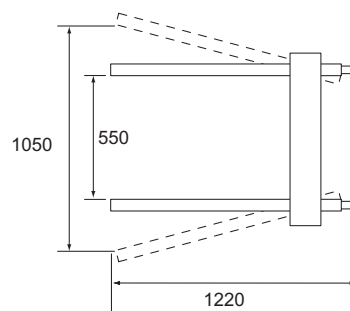
Quiet

Quiet action means there is no disturbance to others when the hoist is in use.

Smooth

Large wheels provide a comfortable and smooth transfer, reassuring for both user and carer.

Technical Information



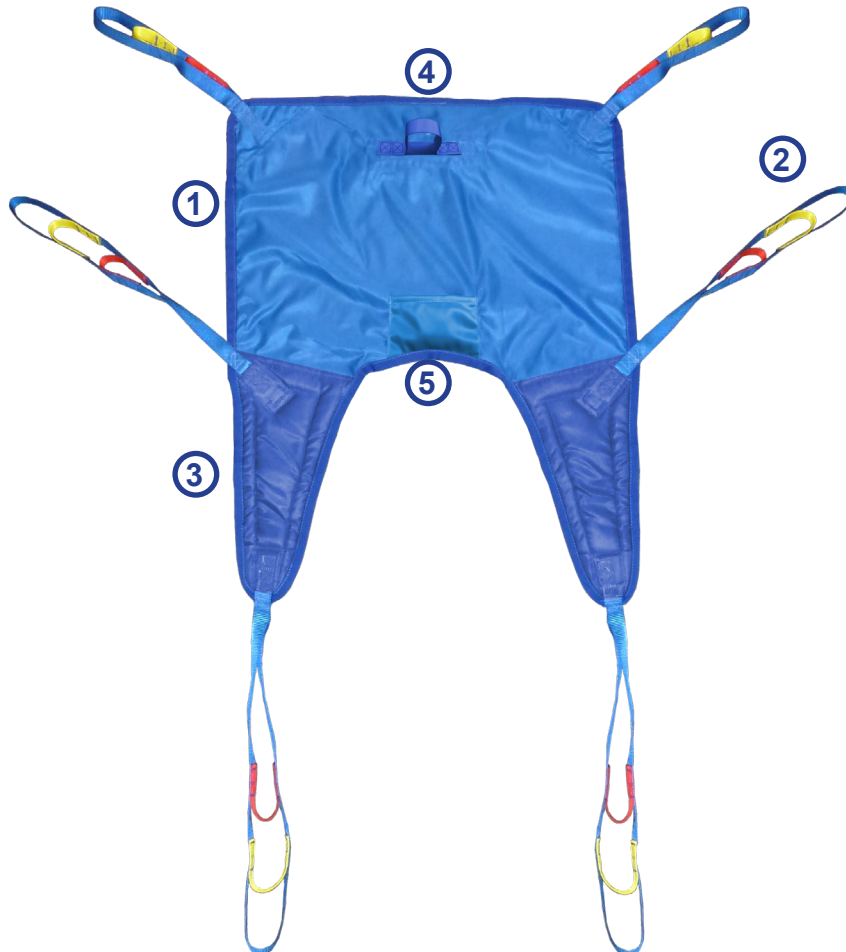
Wispa Sling Range



Wispa Sling Range

The New Chiltern Invadex sling range has been developed using the expert knowledge of healthcare professionals and designed using carefully selected fabrics tested to OEKO-TEX® Standard 100.

Each sling features a range of elements carefully selected to ensure comfort and ease of use.



- ① Chiltern slings utilise a colour coded edging strips and handles to provide a clear visual indication of sling size.



- ② Coloured loops assist in the completion of the care plan (provided in the user guide) and ensure that the sling is correctly positioned on the hoist spreader bar.
- ③ Padded legs have slide sheet material to the rear which reduces friction to assist with fitting.
- ④ Large ergonomic handles are provided to assist with handling.
- ⑤ Slings which can be fitted from a seated position are provided with a rear pocket to assist with correct positioning of the sling.

Fabrics

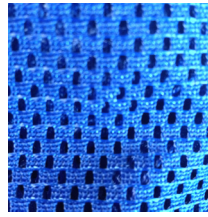
Four standard fabric options have been sourced to ensure that the selected sling provides a comfortable and practical lifting solution.



Standard polyester

A hardwearing close weave fabric. Providing a comfortable smooth finish.

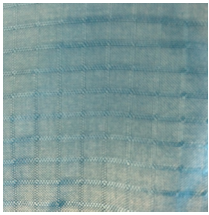
Safe working load: 400kg



Royal Net

Ideal for bathing, the Royal Net material has thousands of tiny drainage holes.

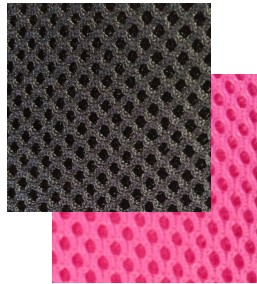
Safe working load: 300kg



Parachute

Silky, soft material which is light and provides little friction during application/removal of the sling.

Safe working load: 200kg



Spacer

State of the art material which adapts to the shape of the users body. Used for in-situ slings the fabric offers pressure relief, heat dispersion and moisture wicking properties.

Safe working load: 300kg

Various Polyester and Royal Net colour options are available, including Paediatric cartoon fabric. Please call for details.

Specials

With over 30 years experience, Chiltern Invadex understand the importance of bespoke slings specifically designed with an individuals needs in mind. All of our slings are manufactured in the UK which allows special slings to be quickly manufactured.

Our nationwide team of surveyors are able to conduct site visits to assist with the specification of a suitable sling and can provide demonstration models.

Numerous options are available to personalise each model, including:

- Polar fleece lining
- Terry towelling lining (blue, pink or black)
- Simulated sheepskin lining
- Dimension changes
- Removal/addition of handles, straps & loops
- Addition of chest and waist straps
- Addition/removal of padded head support
- Clip fixings



Safety



All of our slings have been fully load and durability tested and carry the CE mark in accordance with the Medical Devices Directive 93/42/EEC.

Universal Range



SLU - Universal Sling

A basic universal sling offering a good level of support and comfort.

Features

- Pelvic support straps
- Padded legs
- Slide sheet material on rear of legs to aid fitting and reduce friction
- Rear pocket to assist positioning of the sling

SLUD - Universal Deluxe Sling

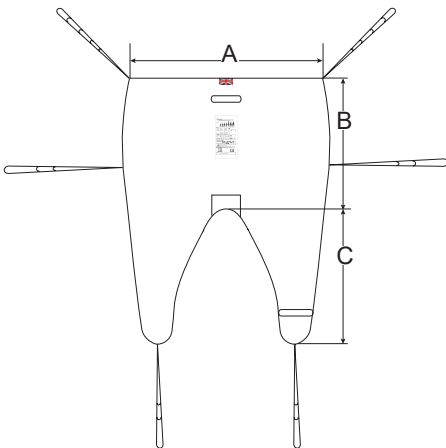
The Universal Deluxe has been designed to provide a comfortable and supportive scoop shape. Features a padded head support and offers a higher degree of support around the head and shoulders.

Features

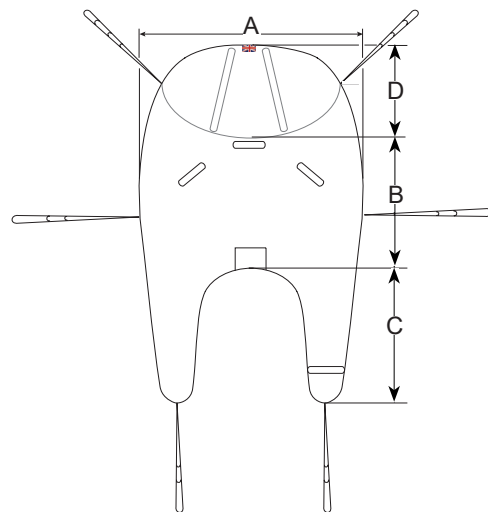
- Comfortable shaped and padded head support
- Padded legs
- Slide sheet material on rear of legs to aid fitting and reduce friction
- Rear pocket to assist positioning of the sling



Available Sizes



Size	A	B	C
P3	550	390	280
P2	590	410	310
P1	690	470	410
XS	770	490	450
S	860	560	530
M	1040	640	610
L	1160	670	640
XL	1290	700	690



Size	A	B	C	D
P3	550	300	350	250
P2	580	330	380	270
P1	660	390	460	290
XS	730	470	490	310
S	860	530	550	310
M	960	600	610	410
L	1060	670	640	410
XL	1110	710	670	410

Access/Toileting Range



SLCT - Classic Toileting Sling

Our classic toileting sling offers a secure transfer with padding for extra comfort. The large aperture provides excellent access to facilitate the removal/adjustment of clothing.

Features

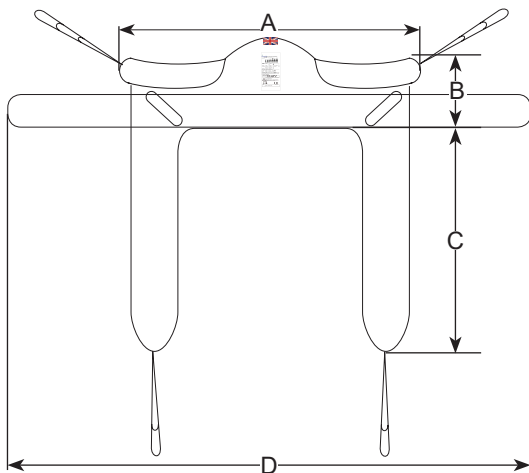
- Adjustable waist strap
- Fully padded
- Slide sheet material on rear of legs to aid fitting and reduce friction

SLDT - Deluxe Toileting Sling

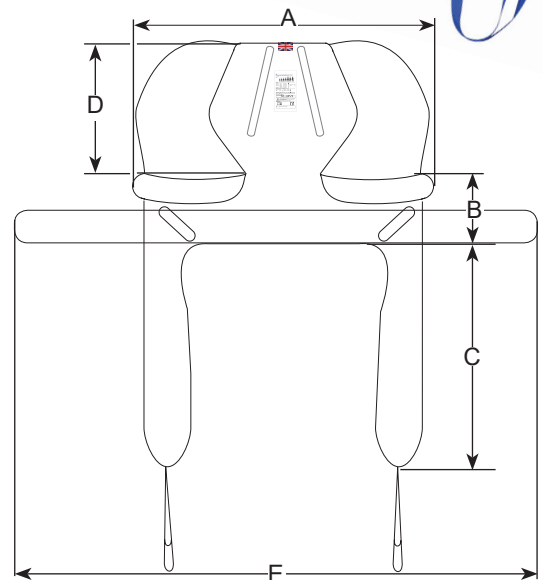
Offers all of the features of the classic toileting sling with the added benefit of a padded head support and extensor straps.



Available Sizes

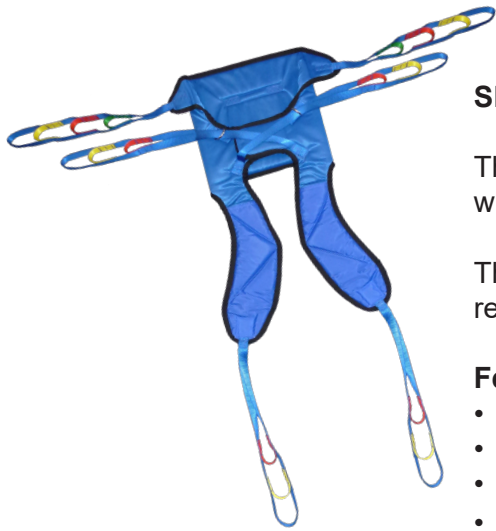


Size	A	B	C	D
P2	480	220	550	960
P1	530	250	580	1060
XS	700	310	670	1220
S	820	370	820	1320
M	910	390	840	1370
L	1010	390	870	1420
XL	1110	410	890	1520



Size	A	B	C	D	E
P2	480	220	550	300	960
P1	530	250	580	320	1060
XS	700	310	670	350	1220
S	700	370	820	370	1320
M	910	390	840	370	1370
L	1010	390	870	400	1420
XL	1110	410	890	400	1520

Access/Toileting Range



SLFST - Full Support Toileting Sling

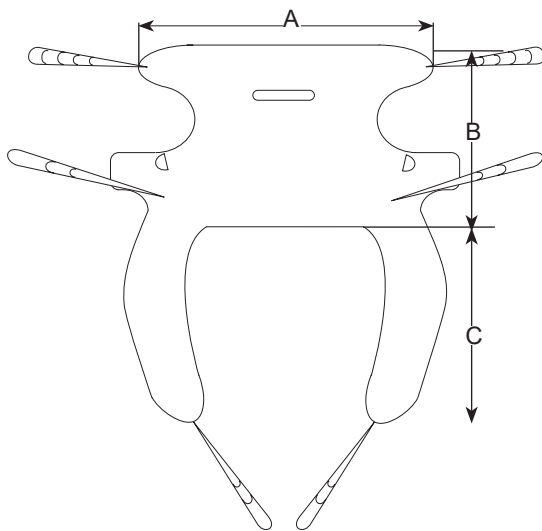
The full support toileting sling offers a greater degree of security for those who may lack the upper body strength to use a classic toileting sling.

The high back and cross over strap design allows for the users arms to remain safely inside the sling during use.

Features

- High padded back
- Wide padded legs
- Secure velcro fastening
- Slide sheet material on rear of legs to aid fitting and reduce friction

Available Sizes



Size	A	B	C
P2	590	360	450
P1	650	400	480
XS	710	430	510
S	800	450	610
M	900	500	670
L	1000	530	770
XL	1100	560	840

Hammock Range

SLSH - Standard Hammock Sling

A basic hammock/amputee sling designed to provide full support to the neck, back and shoulders.

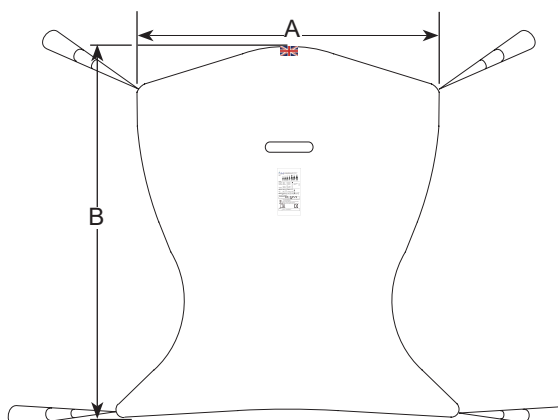
Features

- Carefully designed shape
- Unpadded
- Available with toileting aperture

Available Sizes



Size	A	B
XS	810	1040
S	860	1090
M	960	1140
L	1060	1220
XL	1160	1290



Hammock Range

SLCH - Classic Hammock Sling



The classic hammock is designed to provide a comfortable lift and reduce hip movement.

Features

- Toileting aperture
- Padded legs
- Slide sheet material on rear of legs to aid fitting and reduce friction
- Available with head support

SLDH - Deluxe Hammock Sling

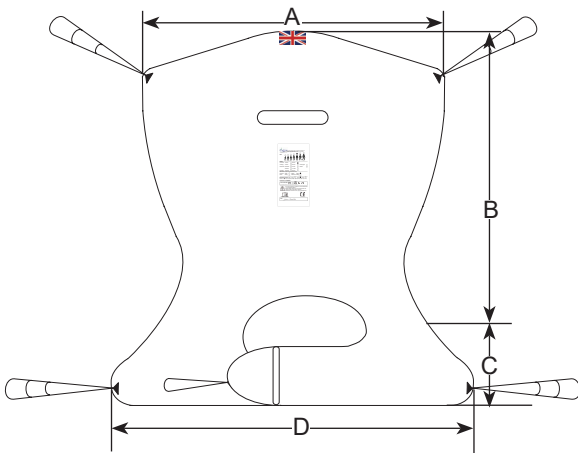
Designed to offer a secure, comfortable fit around the hips. The deluxe hammock is provided with a toileting aperture and padded legs.

Features

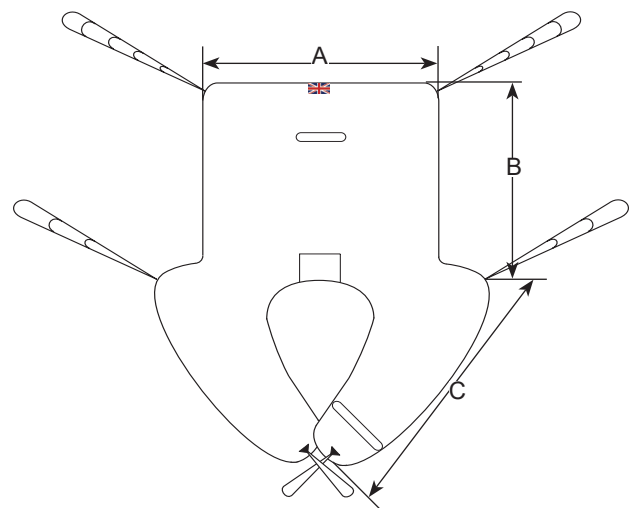
- Toileting aperture
- Padded legs
- Slide sheet material on rear of legs to aid fitting and reduce friction
- Rear pocket to assist positioning of the sling
- Available with head support



Available Sizes



Size	A	B	C	D
P	690	480	300	480
XS	770	520	330	530
S	860	580	330	580
M	960	680	370	680
L	1060	730	400	750
XL	1160	730	470	750



Size	A	B	C
P	690	480	480
XS	770	520	530
S	860	580	580
M	960	680	680
L	1160	730	750
XL	1290	730	750

Hammock Range



SLEH - Extensor Hammock Sling

Similar to the deluxe hammock, the extensor hammock has the added benefit of a padded head support and extensor straps.

Features

- Comfortable shaped and padded head support
- Padded legs
- Slide sheet material on rear of legs to aid fitting and reduce friction
- Rear pocket to assist positioning of the sling

SLICH - In Chair Hammock Sling

The in chair hammock sling is manufactured from spacer material. Following testing using the X-Sensor pressure mapping system, the sling has shown not to contribute to additional pressure peaks and improve the pressure reading through the mapping sessions.

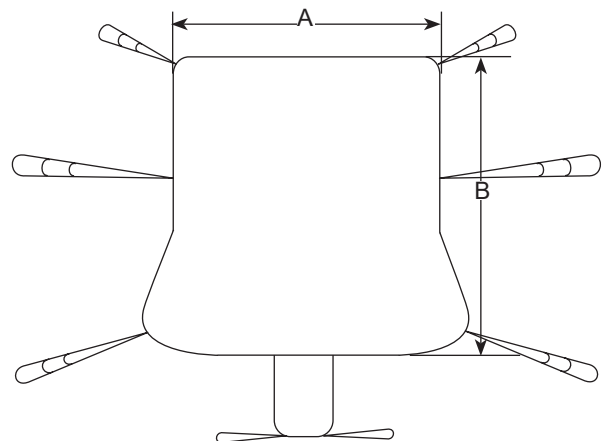
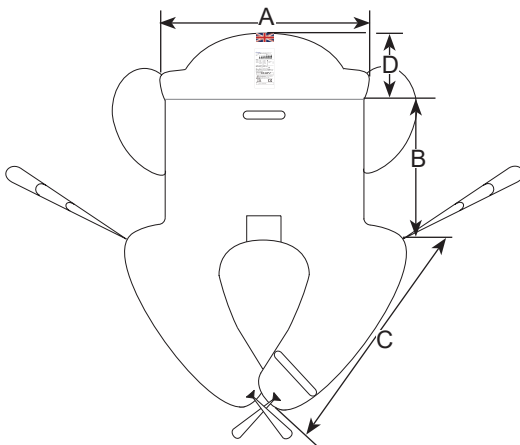
The fabric moulds to the shape of the user, allows for air circulation reducing the build up of heat and has moisture wicking properties.

Features

- Pressure relieving fabric
- Shaped to sit snugly into a chair
- Strap pockets to tuck away lifting straps when not in use
- Pommel for added security
- Also available with split legs



Available Sizes



Size	A	B	C	D
P	690	480	480	150
XS	770	520	530	160
S	860	580	580	170
M	960	680	680	180
L	1160	730	750	190
XL	1290	730	750	200

Size	A	B
P3	590	750
P2	640	820
P1	690	850
XS	770	890
S	860	960
M	960	1060
L	1160	1150
XL	2190	1180

Stand-Aids



SLSA - Stand-Aid Sling

Our stand aid sling has been designed to assist those with a degree of upper body strength to stand using a stand-aid hoist.

Features

- Secure adjustable waist strap
- Fully padded
- Non-slip mesh lining

SLDSA - Deluxe Stand-Aid Sling

The deluxe stand aid sling has features self tightening straps in place of a body belt. It allows the user to keep their arms inside the sling when standing.

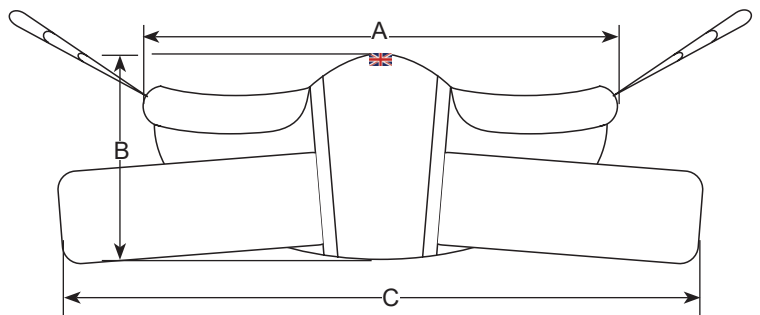
Features

- Self tightening body straps
- Fully padded
- Non-slip mesh lining



Available Sizes

Size	A	B	C
XS	760	300	1140
S	860	330	1220
M	920	360	1320
L	980	400	1420
XL	1040	430	1520



This brochure features a sample of the sling models available. We also offer a range of slide sheets, handling belts and disposable/patient specific models.

Should further information be required or you would like to arrange a free of charge, no obligation survey visit, please contact our customer services team on 01869 365500 opt 1 or email us at sales@chilterninvadex.co.uk.

Chiltern Invadex (UK) Ltd
Unit 6C Thorpe Drive
Banbury
Oxfordshire
OX16 4UZ
Tel: 01869 365500

E-mail: sales@chilterninvadex.co.uk
Web: www.chilterninvadex.co.uk

Overseas enquiries
Tel: 0044 1869 365500
Fax: 0044 1869 365588

Other Product Ranges from Chiltern Invadex

Shower Commode Chairs



TransAqua



AquaMaster A06



AquaMaster Closomat
Range

Tilt in Space Bathing Range



Aquamaster Tilt in Space Chair



Washington Tilting Shower Cradle

Shower Trolleys, Cradles and Stretchers



TRT1



Washington Cradle



T12 fold up stretcher



T3 Paediatric trolley is now
available in various colour options

Shower Enclosures, Wet Floors and Cubicles - full installation service available



Shower WC cubicle

EasiDec wet floor

Sandwell level access tray

Impressions collection