

”Perhaps the best table  
you will ever come across”



## ROPOX VISION TABLE

### EXCELLENT FUNCTIONALITY AND LONG-LASTING DESIGN

Whatever you look for in a table, our Vision table range most probably has it. The Vision series offers an array of worktop sizes, models and adjustment options, to ensure we can meet whatever need you might have, no matter your height or physical capabilities.

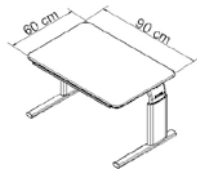
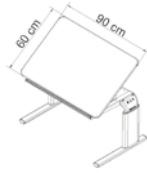
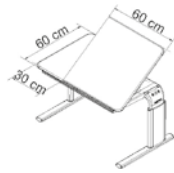
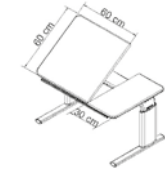
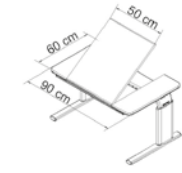
The Vision tables have a range of features that will make your life easier: You can tilt the table top and shorten the distance to the documents on the worktop. You can keep your documents in place with the MagRule magnet even when the table top is tilted. You can adjust the height manually or through a light pressure on the control switch, and you can use the arm supports to relieve your forearms, and as a help to a balanced sitting posture.

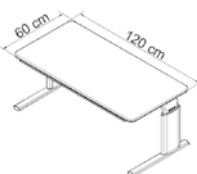
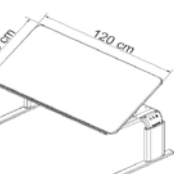
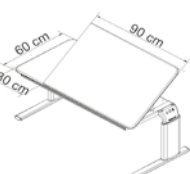
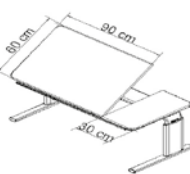
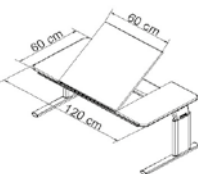
The Vision is highly recommended for both adults and children and also by wheelchair users who favour that they can sit close at the table, since there are no cross bars underneath the table top.

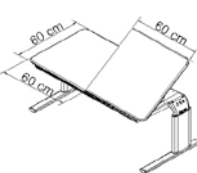
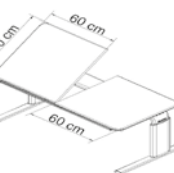
# ROPOX VISION TABLE

Max. load capacity: 100 kg  
 Height: 50-70 or 60-90 cm  
 Depth: 60 or 90 cm  
 Width: 90 or 120 cm  
 Inner width: 80 or 110 cm  
 Frame Colour: Silver Grey

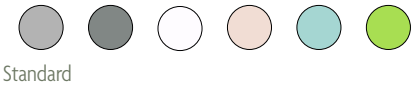
## TECHNICAL INFORMATION

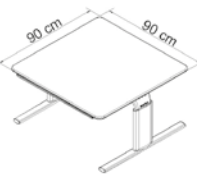
VARIANT	A	B	C	D	E
SIZE 90 X 60 CM					
50-70 / 60-90cm - manual 50-70 / 60-90cm - electric	20-60010-11 / 20-60020-11 20-60010-21 / 20-60020-21	20-60011-11 / 2060021-11 20-60011-21 / 2060021-21	20-60012-11 / 2060022-11 20-60012-21 / 2060022-21	20-60013-11 / 2060023-11 20-60013-21 / 2060023-21	20-60014-11 / 2060024-11 20-60014-21 / 2060024-21

VARIANT	A	B	C	D	E
SIZE 120 X 60 CM					
50-70 / 60-90cm - manual 50-70 / 60-90cm - electric	20-60210-11 / 20-60220-11 20-60210-21 / 20-60220-21	20-60211-11 / 20-60221-11 20-60211-21 / 20-60221-21	20-60212-11 / 20-60222-11 20-60212-21 / 20-60222-21	20-60213-11 / 20-60223-11 20-60213-21 / 20-60223-21	20-60214-11 / 20-60224-11 20-60214-21 / 20-60224-21

VARIANT	F	G
SIZE 120 X 60 CM		
50-70 / 60-90cm - manual 50-70 / 60-90cm - electric	20-60215-11 / 20-60225-11 20-60215-21 / 20-60225-21	20-60216-11 / 20-60226-11 20-60216-21 / 20-60226-21

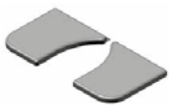
### COLOUR FOR TABLETOPS:



VARIANT	A
SIZE 90 X 90 CM	
50-70 / 60-90cm - manual 50-70 / 60-90cm - electric	20-60310-11 / 20-60320-11 20-60310-21 / 20-60320-21

## ACCESSORIES

Arm support  
incl. bag and hook  
Item: 20-60520



Arm support lock-able  
incl. hook and bag  
Item: 20-60517



MagRule  
30 cm Item: 20-60545  
50 cm Item: 20-60541



Magnet  
Item: 50200-000



Castors with brake, without height  
increase, table depth 90/100 cm  
Item: 20-60589/20-60585



Castors with brake,  
increase height by 8 cm  
table depth 60 cm  
Item: 20-60570/20-60575



Castors with brake, without  
height increase,  
table depth 60 cm  
Item: 20-60573



Castors with brake, without  
height increase,  
table depth 90/100 cm  
Item: 20-60581/20-60579



**ROPOX™**  
BETTER WAYS TO BETTER DAYS

- A PART OF AddLife