



STEPCONCEPT



**STRAIGHT & OFFSET** SERIES

**HANDLE**

[www.stepconcept.com](http://www.stepconcept.com)



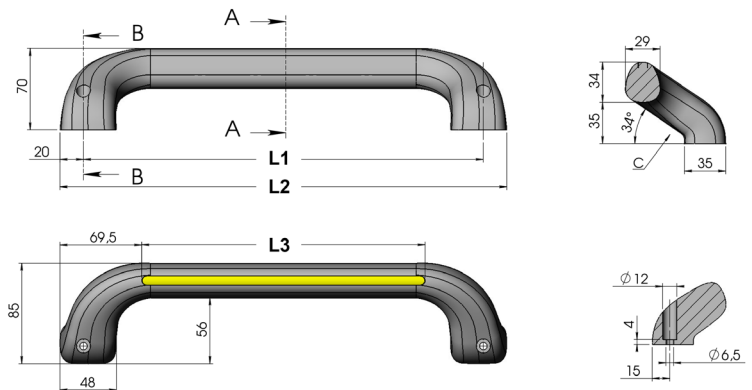
La FRENCH FAB

<b>Material</b>	Polyurethane
<b>Density</b>	350 Kg/m <sup>3</sup>
<b>Hardness</b>	50 Shore A
<b>Reinforcing strip</b>	Steel blade SAE 1010



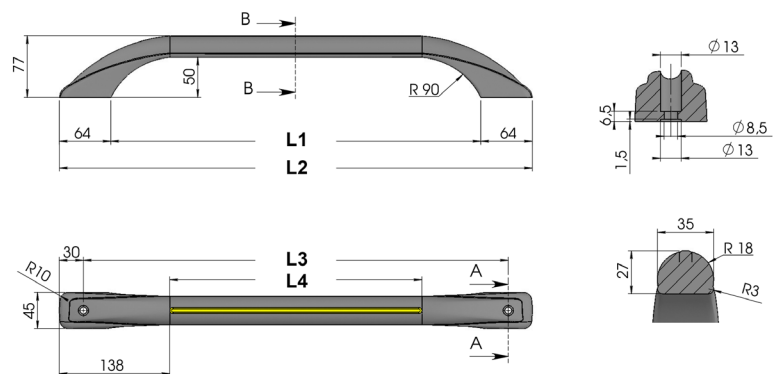
## OFFSET HANDLES

Grey	Yellow	L1	L2	L3
20102	20142	220	260	120
20103	20143	340	380	240



## STRAIGHT HANDLES

Grey	Yellow	L1	L2	L3	L4
20104	20144	182	310	260	165
20105	20145	462	590	530	315
20106	20146	622	750	690	475



STEPCONCEPT Product images are for illustrative purposes only and may differ from the actual product | doc.P01GNEES.2020.EN