

RICON TITANIUM LINE

The heavy-duty Titanium S-Series and K-Series wheelchair lifts feature the industry-leading Ricon Safety Zone and advanced engineering that delivers ease of access and the most reliable, high capacity, low-maintenance performance for all paratransit and school bus applications.

- True 1,000-pound capacity
- Dura-Touch™ hand control pendant
- EZ-Roll™ platform-to-vehicle transition
- KlearVue™ model maximizes visibility
- Full 3-year warranty

BEST-IN-CLASS TITANIUM™ S-SERIES® AND K-SERIES® WHEELCHAIR LIFTS



Ricon®
A **Wabtec** subsidiary

K-Series



KlearVue™ Model – Platform automatically and safely folds horizontally for unobstructed driver and passenger views. Accommodates longer lift platform inside a standard door opening, ideal for both side and rear-door applications.

Innovation and Leadership Since 1971

We have dedicated our business to the design and manufacture of innovative commercial access products to meet the growing demands of global transportation. As a Wabtec subsidiary operating from modern facilities in Los Angeles, Ricon Corporation is the largest manufacturer of its kind in the world.

The first North American wheelchair lift manufacturer to achieve ISO 9001:2000 certification, all Ricon paratransit designs are tested to meet or exceed the most rigorous elements of FMVSS 403/404, 49 CFR, part 38 (ADA), CSA D409, and the California Vehicle Code (CA Title 13).

Advanced Ricon Titanium Design Benefits the Growing Community of Mobility-Challenged Passengers, Driver Operators, Transportation Agencies, School Districts and the OEM Installer.

The new Titanium S-Series and K-Series wheelchair lifts provide unparalleled performance, space-saving footprint and lasting value. Ricon lifts set the industry standard for secure access, ease of use and reliability transporting passengers across town or children to and from school. Heavy-duty Titanium Line designs comply with all applicable ADA and FMVSS regulations and include many exclusive best-in-class features.

- True 1,000-pound capacity
 - Dura-Touch™ hand control pendant
 - EZ-Roll™ platform-to-vehicle transition
 - Right and left side twist-n-lock pendant connections
 - Quiet ride anti-vibration bumpers
 - KlearVue™ model maximizes visibility
 - Handrail LED platform lights
 - Rollerized outboard rollstop
 - Lubrication-free bearings and pins
 - Patented Sto-Loc™ technology
 - FMVSS and ADA compliant
 - Full 3-year warranty
- Designed for “DOT PUBLIC USE” vehicles.



THE RICON SAFETY ZONE

Surrounds passenger with industry-leading safety features to optimize security during lift operations.

- Patented fully interlocked restraint belt system
- Contoured handrails with LED platform lighting
- Inner and outer rollstop barriers and side rails

Photo courtesy of Collins Bus

Quick-Release Pump Cover – Provides easy access to internal components without tools. Adjustments and manual operation performed with pump cover in place.

Pendant Connections – Dual twist-n-lock connection points allow pendant to be easily mounted on either side of lift.



Exclusive Dura-Touch Control Pendant – Tough, magnetized pendant features shock-resistant polypropylene case with bumper edges, water-resistant buttons and heavy-duty coiled cord.

Manual Backup System – Hand pump mechanism provides manual operation in case of power loss.

Best-in-Class Features Combined with High-Strength Steel Alloy Construction Deliver a True 1,000-Pound Capacity.

Low-Profile Threshold Warning Beacon – Provides 360° visibility.

Threshold Warning System – Optical sensors detect breach of threshold area activating both visible beacon and audible beeper warnings.

Cycle Counter – Tracks usage for service and maintenance.

Bridgeplate Load Sensor – Prevents platform movement if load detected on inboard rollstop.

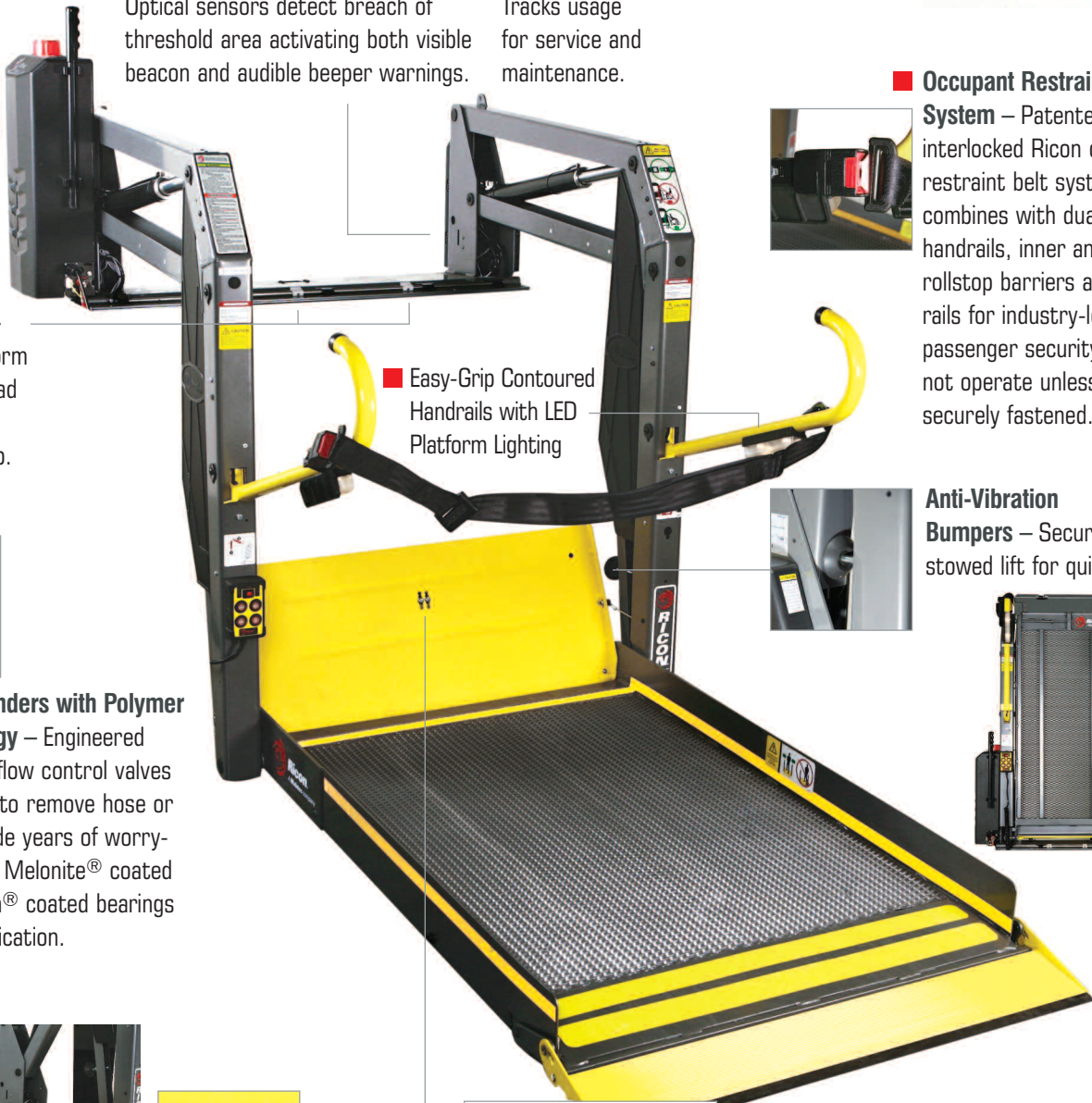


Hydraulic Cylinders with Polymer Seal Technology – Engineered easy-to-reach flow control valves eliminate need to remove hose or fitting to provide years of worry-free operation. Melonite® coated pins with Teflon® coated bearings require no lubrication.



EZ-Roll™ Inboard Rollstop – Automatically lays completely flat for smooth platform-to-vehicle and vehicle-to-platform transitions.

Patented Sto-Loc™ Technology – Prevents lift drift (located on reverse side of the inboard rollstop).



Easy-Grip Contoured Handrails with LED Platform Lighting



Occupant Restraint Belt System – Patented fully interlocked Ricon occupant restraint belt system combines with dual handrails, inner and outer rollstop barriers and side rails for industry-leading passenger security. Lift will not operate unless belt is securely fastened.



Anti-Vibration Bumpers – Secure stowed lift for quiet ride.



Rollerized Outboard Rollstop – Advanced design features one-piece extruded aluminum barrier with quiet-touch rubber tip and solid mechanical actuator assisted by rollers for smooth operation on widest range of surfaces.

Heavy-Duty 1,000-Pound Lift Platform – Durable Titanium gray powder coat finish complements most vehicle interiors. Requires vehicle specific application engineering. Not intended for retrofit.

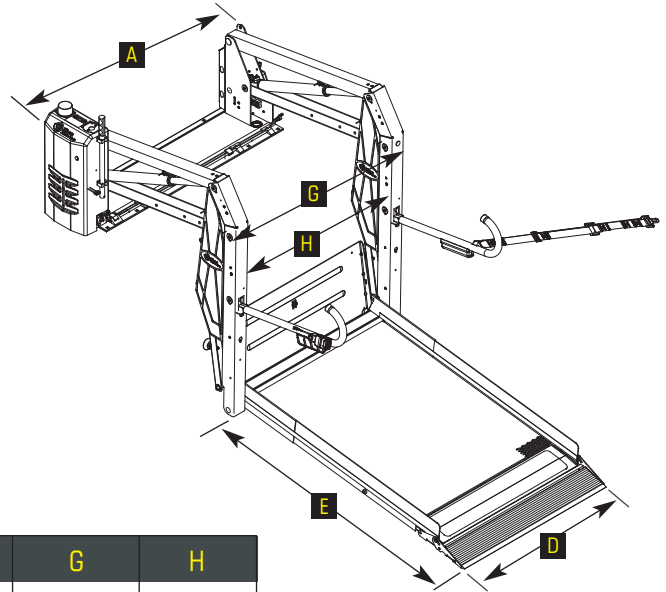


RICON TITANIUM LINE

S-SERIES® LIFT: Models: S2005-S5510

Rated Load CapacityUp to 1000 lbs. / 454 kg*
 Lift WeightApprox. 400 - 425 lbs. / 181 -193 kg
 PowerElectro-Hydraulic
 Hydraulic Cylinders.....(2) each, 1.5" Power-Up / Gravity Down
 Motor Rating @ 12V DC65 amp avg. / cycle 1750 psi
 Manual Backup (up)Hand Pump
 Manual Backup (down)Pressure Release Valve

* Requires vehicle specific application engineering. Not intended for retrofit.



Dimensions Inches/Millimeters

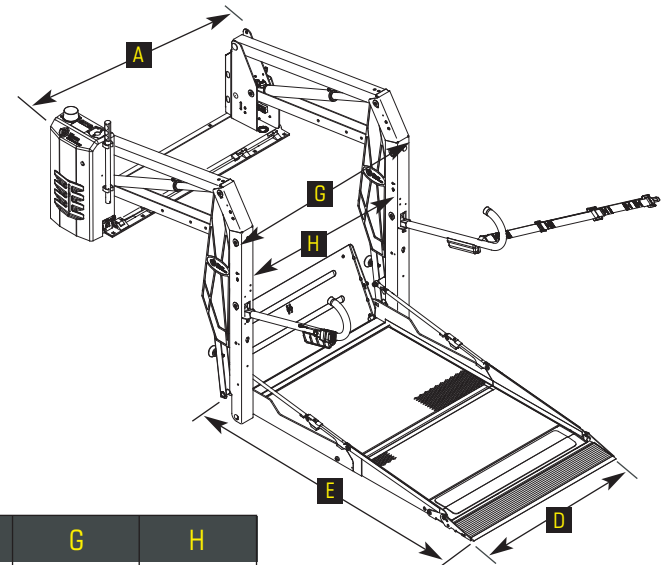
	A	B	C	D	E	F	G	H
MODEL	Stationary Frame Width	Height (folded)	Installation Depth (folded)	Usable Platform Width	Usable Platform Length	Floor-to-Ground Travel	Traveling Frame Width	Clear Entry Width
S2005	47/1194	54/1372	14/356	32/813	51/1295	42/1067	40.5/1029	32/813
S2010	49/1245	57/1448	14/356	34/864	54/1372	42/1067	42.5/1080	34/864
S5505	47/1194	57.5/1461	15/381	32/813	51/1295	51/1295	41/1041	32/813
S5510	49/1245	57.5/1461	15/381	34/864	54/1372	51/1295	43/1092	34/864

- Audible/Visual Threshold Warning Display
- Optical Threshold Warning Sensors
- Inboard Rollstop Interlock
- Automatic Inner Barrier Rollstop
- Two-Tiered Outer Barrier
- LED Platform Lighting
- Cycle Counter

K-SERIES® LIFT: Models: K2005-K5510

Rated Load CapacityUp to 1,000 lbs. / 454 kg*
 Lift WeightApprox. 400-425 lbs. / 181 -193 kg
 PowerElectro-Hydraulic
 Hydraulic Cylinders.....(2) each, 1.5" Power-Up / Gravity Down
 Motor Rating @ 12V DC65 amp avg. / cycle 1750 psi
 Manual Backup (up)Hand Pump
 Manual Backup (down)Pressure Release Valve

* Requires vehicle specific application engineering. Not intended for retrofit.



Dimensions Inches/Millimeters

	A	B	C	D	E	F	G	H
MODEL	Stationary Frame Width	Height (folded)	Installation Depth (folded)	Usable Platform Width	Usable Platform Length	Floor-to-Ground Travel	Traveling Frame Width	Clear Entry Width
K2005	47/1194	54/1372	16.5/419	31/787	51/1295	37/940	40.5/1029	31.25/794
K2010	49/1245	54/1372	16.5/419	33/838	54/1372	37/940	42.5/1080	33.75/857
K5505	47/1194	57.5/1461	17.5/445	31/787	51/1295	48/1219	41/1041	31.25/794
K5510	49/1245	57.5/1461	17.5/445	33/838	54/1372	48/1219	43/1092	33.75/857

- Audible/Visual Threshold Warning Display
- Optical Threshold Warning Sensor
- Inboard Rollstop Interlock
- Automatic Inboard Rollstop
- Two-Tiered Outer Barrier
- LED Platform Lighting
- Cycle Counter

CALL TOLL-FREE: 1-800-322-2884

RICONCORP.COM RICON CORPORATION 1135 Aviation Place, San Fernando, CA 91340

Copyright: 2015 Ricon Corporation. Ricon, Titanium, S-Series, K-Series, KlearVue, Sto-Loc, Dura-Touch and EZ-Roll are trademarks of Ricon Corporation. All Rights Reserved. Ricon Corp. reserves the right to discontinue models or options at any time or change specifications, materials, equipment, or pricing without notice and without incurring obligation.

PN 32SL629-B (08 15 2.5M)

