

ROHO® Products

Built for the real you.



permobil



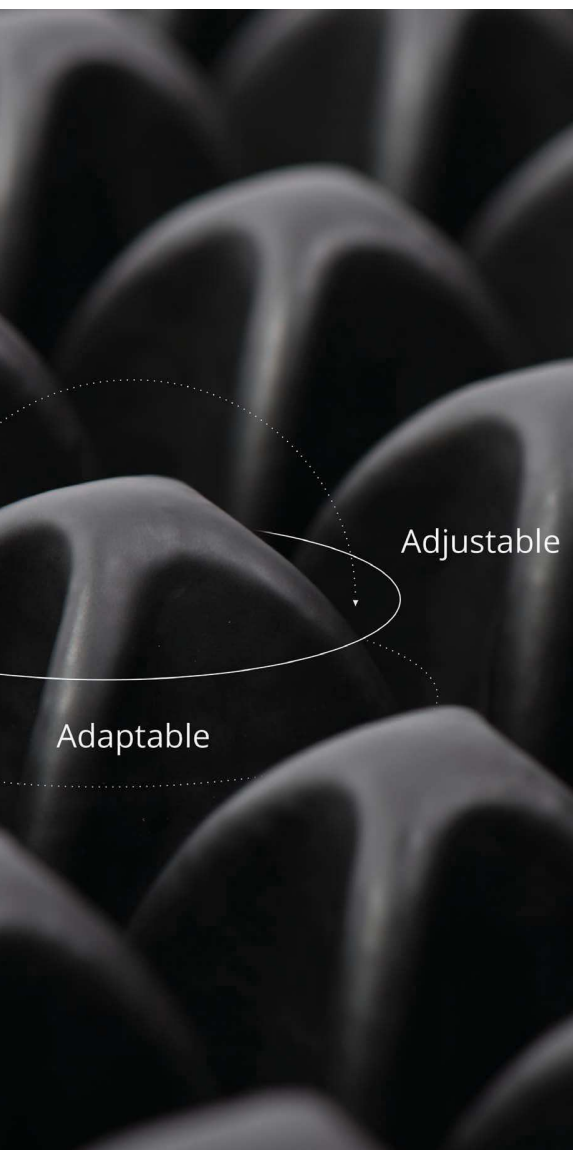
Keep moving
as you do; we'll
follow your lead.



Table of Contents

	Page
Science Behind ROHO®	4
Seat Cushions	
Select Series	6-7
Smart Series	8-9
Hybrid Series	10-11
Custom	12-13
Single Compartment	14-15
Dual Compartment	16-17
Other Cushioning Products	18-19
Specialty Products	20-22
Wheelchair Back Systems	
AGILITY Aluminum Series	24-27
AGILITY CARBON Series	28-29
Resources	
Measurement Instructions	30-31
Product Use and Maintenance	32
Returns, Warranty and Quality Management	32
EC Statement and Trademarks	33
Notes Pages	34-35

SCIENCE BEHIND ROHO PRODUCTS



Pressure injuries can be a painful and debilitating medical complication, and under unfavorable circumstances, can develop within minutes to hours. However, preventing their occurrences is feasible through early recognition and intervention.

One of the intervening technologies that Permobil Seating & Positioning uses to combat pressure injuries is called **ROHO® Shape Fitting Technology®**. The unique air-cell design of the ROHO product range has the capability to conform and adapt to the user's body shape, mimicking the pressure redistribution properties of water. This conformity reduces the effects of friction and shear on tissue, which are the primary factors in pressure injury formation.

For anyone whose health, well-being or recovery depends on skin protection and positioning, products using **ROHO® Shape Fitting Technology®** provide comfort and support through pressure injury prevention and healing.

Demand ROHO products for the best clinical outcomes.

- Superior skin and soft tissue protection
- Longer safe sitting times
- Positioning and stability capabilities



SEAT CUSHIONS

ROHO cushions are built for the real you, no matter who you are or where you sit. The proprietary air cell technology keeps you in place while moving as you do, constantly adjusting to your body.



Select Series

Smart Series

Hybrid Series

Custom

Single Compartment

Dual Compartment

Other Cushioning Products

Specialty Products





Select Series

The QUADTRO SELECT® and CONTOUR SELECT® cushions feature four independent compartments of air cells for an individualized fit, each controlled by our exclusive ISO FLO® Memory Control.

ROHO's ISO FLO® Memory Control, located at the front of all Select Series cushions, allows air to flow through the cushion in two ways:



ISO FLO Memory Control shown in the OPEN position.

Air can flow freely throughout the entire cushion, similar to a ROHO Single Compartment Cushion.



ISO FLO Memory Control shown in the CLOSED position.

Air becomes locked into four separate quadrants, offering front-to-back and side-to-side positioning capabilities.

Every Select Series cushion sets the standard for skin and soft tissue protection, without compromising stability, positioning, comfort or ease of use.

Featuring DRY FLOATATION® air cells, the Select Series assists in pressure injury prevention and treatment.

QUADTRO SELECT® CUSHIONS



HIGH PROFILE®

The tall interconnected air cells envelop your body, delivering maximum immersion for the ultimate in skin protection, positioning, stability and comfort.

IDEAL FOR PEOPLE WHO

Require accommodation or correction of front-to-back or side-to-side pelvic asymmetries, up to approx. 3 in. (7.5 cm)

Require pelvic and lower extremity positioning

DIMENSIONS

Width: 12.75 in. to 26.25 in. / 32.5 cm to 67 cm
Depth: 11.75 in. to 67 in. / 30 cm to 51.5 cm
Height: 4.25 in. / 10.5 cm

LIMITED WARRANTY

Cushion: 36 months
Cover: 6 months

WEIGHT LIMIT

No weight limit

MEDICARE CODES

E2624, E2625



MID PROFILE™

The mid-sized interconnected air cells deliver the ideal combination of customizable positioning and stability.

IDEAL FOR PEOPLE WHO

Require accommodation or correction of front-to-back or side-to-side pelvic asymmetries, up to approx. 2 in. (5 cm)

Require pelvic and lower extremity positioning

DIMENSIONS

Width: 14.5 in. to 19.5 in. / 36.5 cm to 49.5 cm
Depth: 13.5 in. to 18.5 in. / 34.5 cm to 47 cm
Height: 3.25 in. / 8.5 cm

LIMITED WARRANTY

Cushion: 36 months
Cover: 6 months

WEIGHT LIMIT

No weight limit

MEDICARE CODES

E2624, E2625



LOW PROFILE®

The interconnected air cells deliver sitting stability. It could be used as a secondary cushion, on an office chair, in adaptive sports equipment, in a car or anywhere else you may need cushioning and protection.

DIMENSIONS

Width: 11 in. to 24.25 in. / 28 cm to 62.5 cm
Depth: 11.75 in. to 22 in. / 30 cm to 56 cm
Height: 2.25 in. / 5.5 cm

LIMITED WARRANTY

Cushion: 36 months
Cover: 6 months

WEIGHT LIMIT

No weight limit

MEDICARE CODES

E2624, E2625

CONTOUR SELECT®



Designed for positioning and posture, this cushion helps to keep you centered in the cushion in an upright pelvic posture.

- Provides leg alignment and pelvis stabilization
- Provides further individualization of side-to-side and front-to-back positioning with ISOFLO® Memory Control
- Stability
- Positioning

DIMENSIONS

Width: 14.5 in. to 24.25 in. / 36.5 cm to 62.5 cm
Depth: 15.25 in. to 20.25 in. / 38.5 cm to 51.5 cm
Height: Approx. 2.25 in. to 4.25 in. / 5.5 cm to 10.5 cm
Range due to varying heights of cells

LIMITED WARRANTY

Cushion: 36 months
Cover: 6 months

WEIGHT LIMIT

No weight limit

MEDICARE CODES

E2624, E2625



Smart Series

Smart Check®

Personal Electronic Cushion Security Device

Meet Smart Check. It's the brains behind the most effective and user friendly electronic cushion monitoring system on the market.

After performing a setup with the Smart Check, simply attach the portable Smart Check device to your ROHO Sensor Ready cushion, press the check button, and you'll know right away if your inflation level has changed.

Limited Warranty: 24 Months

- Stores recommended inflation range
- Press to check inflation level
- Real-time feedback
- Ability to reset
- Detachable for storage





HIGH PROFILE®
Single Compartment Sensor
Ready Cushion

The tall, interconnected individual air cells envelop you to redistribute pressures and decrease friction and shear.

These taller air cells provide a greater contact area and maximum immersion and envelopment – which promotes healing.

IDEAL FOR PEOPLE WHO

Require accommodation of pelvic asymmetry, up to 3 in. / 7.5 cm

DIMENSIONS

Width: 11.5 in. to 26.75 in. / 29 cm to 68 cm

Depth: 11.5 in. to 20 in. / 29 cm to 50.5 cm

Height: 4.25 in. / 10.5 cm

LIMITED WARRANTY

Cushion: 24 months

Cover: 6 months

WEIGHT LIMIT

No weight limit

MEDICARE CODES

E2622, E2623



MID PROFILE™
Single Compartment Sensor
Ready Cushion

The individual midsize air cells provide the ideal level of immersion and skin protection, thanks to the Shape Fitting Technology® of ROHO DRY FLOATATION®.

The shape and depth of the cells adapt to your movements and conform to your body's changes throughout the day.

IDEAL FOR PEOPLE WHO

Require accommodation of pelvic asymmetry, up to 2 in. / 5 cm

DIMENSIONS

Width: 13.25 in. to 23.5 in. / 33.5 cm to 59.5 cm

Depth: 13.25 in. to 20 in. / 33.5 cm to 50.5 cm

Height: 3.25 in. / 8 cm

LIMITED WARRANTY

Cushion: 24 months

Cover: 6 months

WEIGHT LIMIT

No weight limit

MEDICARE CODES

E2622, E2623



HYBRID ELITE SR™
Single Compartment
Cushion

This innovative cushion combines the skin and soft tissue protection from the Shape Fitting Technology™ of an air-filled ROHO DRY FLOATATION® Cushion with stability and positioning from a contoured foam base.

The shape-fitting air insert provides critical pressure redistribution around the pelvic area.

IDEAL FOR PEOPLE WHO

Require accommodation of pelvic asymmetry, up to 2 in. / 5 cm

Require pelvic and lower extremity positioning and a more stable environment for transfers

DIMENSIONS

Width: 13.75 in. to 23.75 in. / 35 cm to 60.5 cm

Depth: 14.75 in. to 20.75 in. / 37.5 cm to 53 cm

Height: 4.25 in. / 11 cm

WEIGHT LIMIT

500 lbs. / 225 kg

MEDICARE CODES

E2622, E2623

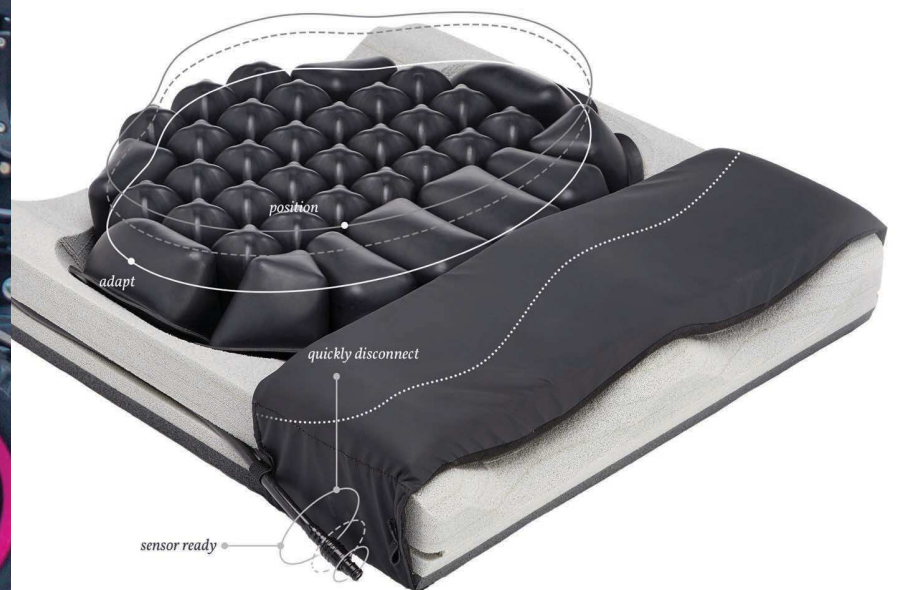


Hybrid Series

These innovative cushions combine the skin and soft tissue protection from the Shape Fitting Technology™ of an air-filled ROHO DRY FLOATATION™ Insert with the stability of a contoured foam base.

The contoured foam base is designed to allow for increased stability for transfers and provides exceptional comfort, positioning and stability.

- Combination of air and foam for stability and skin/soft tissue protection
- Contoured foam provides lateral and medial upper leg supports to hold your legs in place
- Firm base for transfers
- Supports pressure injury prevention and treatment





Hybrid Elite SR™ Single Compartment Cushion

This innovative cushion combines the skin and soft tissue protection from the Shape Fitting Technology of an air-filled ROHO DRY FLOATATION® Cushion with stability from a contoured foam base.

The shape-fitting air insert provides critical pressure redistribution around the pelvic area.

IDEAL FOR PEOPLE WHO

Require accommodation of pelvic asymmetry, up to 2 in. / 5 cm
Require pelvic and lower extremity positioning
Require a more stable base for transfers

DIMENSIONS

Width: 13.75 in. to 23.75 in. / 35 cm to 60 cm
Depth: 14.75 in. to 20.75 in. / 37.5 cm to 53 cm
Height: 4.25 in. / 11 cm

LIMITED WARRANTY

Cushion: 24 months
Cover: 6 months

WEIGHT LIMIT

500 lbs. / 225 kg

MEDICARE CODES

E2622, E2623



Hybrid Elite Dual Compartment Cushion

Combines the skin and soft tissue protection and Shape Fitting Technology of a ROHO DRY FLOATATION® Cushion with the stability of a contoured foam base.

The dual compartment air insert provides critical pressure redistribution around the pelvis. The two independent, adjustable air compartments let you set inflation levels to reduce or accommodate a side-to-side asymmetry, such as a pelvic obliquity.

IDEAL FOR PEOPLE WHO

Require accommodation or correction of pelvic asymmetry, up to 2 in. / 5 cm
Need side-to-side positioning
Require a more stable environment for transfers

DIMENSIONS

Width: 14 in. to 20 in. / 35.5 cm to 51 cm
Depth: 14.75 in. to 20.75 in. / 37.5 cm to 53 cm
Height: 4.25 in. / 11 cm

LIMITED WARRANTY

Cushion: 24 months
Cover: 6 months

WEIGHT LIMIT

500 lbs. / 225 kg

MEDICARE CODES

E2622, E2623



Nexus SPIRIT®

ROHO DRY FLOATATION® Technology combined with the stability of a soft, contoured foam base.

This base provides stability and positioning and support when transferring. The individual air cells envelop your body, providing pressure relief and helping to prevent skin and soft tissue breakdown.

IDEAL FOR PEOPLE WHO

Require accommodation of pelvic asymmetry, up to approx. 1 in. / 2.5 cm
Need transfer stability and support
Need a combination of air and foam for positioning

DIMENSIONS

Width: 14 in. to 20 in. / 35.5 cm to 51 cm
Depth: 15.5 in. to 19.5 in. / 39.5 cm to 49.5 cm
Air Insert Height: 2.25 in. / 5.5 cm
Total Height: 3.5 in. / 9 cm

LIMITED WARRANTY

Cushion: 24 months
Cover: 6 months

WEIGHT LIMIT

No weight limit

MEDICARE CODES

E2622



Custom Cushions

Together with your clinician or distributor, you can design your own ROHO Cushion – and we'll build it.





We understand that there's no such thing as one size fits all when it comes to comfort, safety and health. That's why ROHO® cushions are available in fully customizable shapes, sizes and functions.

IDEAL FOR PEOPLE WHO

Need to vary the number of valves or compartments to provide side-to-side and front-to-back positioning

Would benefit from varying cell heights to provide stability, positioning and skin/soft tissue protection exactly where it's needed

Need to add or delete rows of cells beyond the dimensions of standard size models

Need to remove cells or rows

Would benefit from adding ventilation/ drainage holes through base of cushion

DIMENSIONS

CUSTOM

LIMITED WARRANTY

Cushion: 24 months

Cover: 6 months

WEIGHT LIMIT

Custom

MEDICARE CODES

E2609

Custom Cushions are designed and priced upon request. Restrictions may apply.

Please contact Customer Support at orders.roho@permobilus.com, or call (800) 851-3449 or (618) 277-9150. The Design-A-ROHO worksheet is also available on permobilus.com.



Single Compartment Cushions

DRY FLOATATION® technology redistributes pressure while decreasing friction and shear. Every Single Compartment Series cushion is fully adjustable to fit your shape, minimize tissue deformation and facilitate blood flow.



Single Valve



HIGH PROFILE®

The tall individual air cells provide maximum immersion and envelopment to redistribute pressure and decrease friction and shear. With a simple inflation adjustment, your ROHO will conform to your exact shape to minimize tissue deformation and maximize blood flow.

IDEAL FOR PEOPLE WHO

Require accommodation or correction of pelvic asymmetry, up to approx. 3 in. / 7.5 cm

Need skin protection, maximum immersion and envelopment

DIMENSIONS

Width: 11.5 in. to 26.75 in. / 29 cm to 68 cm
Depth: 11.5 in. to 25 in. / 29 cm to 63.5 cm
Height: 4.25 in. / 10.5 cm

LIMITED WARRANTY

Cushion: 24 months
Cover: 6 months

WEIGHT LIMIT

No weight limit

MEDICARE CODES

E2622, E2623



MID PROFILE™

The mid-sized individual air cells bring a balance between immersion and stability while redistributing pressure and decreasing friction and shear. With a simple inflation adjustment, your ROHO conforms to your shape, minimizing tissue deformation and maximizing blood flow.

IDEAL FOR PEOPLE WHO

Require accommodation or correction of pelvic asymmetry, up to approx. 2 in. / 5 cm

Need skin protection, immersion and envelopment

DIMENSIONS

Width: 13.25 in. to 20 in. / 33.5 cm to 50.5 cm
Depth: 13.25 in. to 20 in. / 33.5 cm to 50.5 cm
Height: 3.25 in. / 8.5 cm

LIMITED WARRANTY

Cushion: 24 months
Cover: 6 months

WEIGHT LIMIT

No weight limit

MEDICARE CODES

E2622



LOW PROFILE®

Designed for those with active lifestyles, the shorter interconnected air cells reduce friction and shear as you move your cushion.

The LOW PROFILE could be used as a secondary cushion on an office chair, in the car or in the bath – anywhere you need extra cushioning and protection from injury.

DIMENSIONS

Width: 11.5 in. to 23.5 in. / 29 cm to 59.5 cm
Depth: 11.5 in. to 20 in. / 29 cm to 50.5 cm
Height: 2.25 in. / 5.5 cm

LIMITED WARRANTY

Cushion: 24 months
Cover: 6 months

WEIGHT LIMIT

No weight limit

MEDICARE CODES

E2622, E623



Dual Compartment Cushions

Two separate compartments with independently adjusted air inflation levels bring a unique level of stability and positioning to the skin/soft tissue protection of the DRY FLOATATION® Technology.

Dual valve





ENHANCER®

The multiple cell heights are contained within two independent compartments (one consisting of the ischial well and leg trough cells, the other consisting of the lateral and medial thigh supports). This helps to keep the pelvis and legs in position and provides stability, while still providing optimal skin and soft tissue protection.

The ENHANCER Cushion is the only ROHO cushion that allows you to isolate the ischial well and increase the lateral support in the greater trochanter area.

IDEAL FOR PEOPLE WHO

Require positioning of the pelvis and lower extremities

Need increased lateral support

Need to partially offload the ischial tuberosities

DIMENSIONS

Width: 14.75 in. to 20 in. /

37.5 cm to 50.5 cm

Depth: 14.75 in. to 20 in. /

37.5 cm to 50.5 cm

Height: 2.25 in. to 4.25 in. /

5.5 cm to 10.5 cm

(Range due to varying cell heights)

LIMITED WARRANTY

Cushion: 24 months

Cover: 6 months

WEIGHT LIMIT

No weight limit

MEDICARE CODES

E2624, E2625

HIGH PROFILE and LOW PROFILE Dual Compartment cushions give you the ability to independently adjust right and left compartment inflation levels to reduce or accommodate side-to-side pelvic asymmetries. The end result is improved positioning and stability along with protection from pressure injuries.



HIGH PROFILE®

Each compartment of the HIGH PROFILE Dual compartment cushion can be adjusted independently to increase positioning and stability by addressing side-to-side asymmetries, such as a pelvic obliquity.

IDEAL FOR PEOPLE WHO

Require accommodation or correction of pelvic asymmetry, up to approx. 3 in. / 7.5 cm

DIMENSIONS

Width: 14.75 in. to 20 in. /

37.5 cm to 50.5 cm

Depth: 14.75 in. to 21.75 in. /

37.5 cm to 55 cm

Height: 4.25 in. / 10.5 cm

LIMITED WARRANTY

Cushion: 24 months

Cover: 6 months

WEIGHT LIMIT

No weight limit

MEDICARE CODES

E2624, E2625



LOW PROFILE®

Assists in providing stability across the cushion, even if you have pelvic asymmetry or other challenges with posture. Designed for people with an increased activity level who may need positioning as they lean from side to side.

The LOW PROFILE could be used as a secondary cushion, on an office chair, in adaptive sport equipment, in the car or anywhere you need extra cushioning and protection.

DIMENSIONS

Width: 14.75 in. to 20 in. /

37.5 cm to 50.5 cm

Depth: 14.75 in. to 20 in. /

37.5 cm to 50.5 cm

Height: 2.25 in. / 5.5 cm

LIMITED WARRANTY

Cushion: 24 months

Cover: 6 months

WEIGHT LIMIT

No weight limit

MEDICARE CODES

E2624, E2625



Other Cushioning Products

At Permobil, we're always looking to feature the widest range of products to offer solutions for everyone.



AIR FLOATATION air insert built into the AirLITE® cushion.

AirLITE® Cushion

The AirLITE is a maintenance-free cushion. The soft, comfortable foam base with the built-in, nonadjustable AIR FLOATATION® air insert allows the cushion to conform to your body while also preventing you from bottoming out in your wheelchair. The gentle contour of the leg trough helps you maintain the right position and posture.

- Maintenance-free
- Comfort
- Lightweight
- Positioning
- Stability

DIMENSIONS

Width: 13 in. to 20 in. / 33 cm to 51 cm
 Depth: 13 in. to 20 in. / 33 cm to 51 cm
 Height: Approx. 2 in. to 3.75 in. / 5 cm to 9.5 cm

LIMITED WARRANTY

Cushion: 24 months

WEIGHT LIMIT

300 lbs. / 136 kg

MEDICARE CODES

E2605



MOSAIC® Cushion

The re-engineered, cost-effective MOSAIC Cushion is now even better. With a more comfortable fit, you'll enjoy more sitting time while still protecting your skin and soft tissues.

With the mild contour and more effective, controlled air flow, you can sit longer, with less pain, knowing you have proven ROHO air-cell-based technology supporting you.

The innovative design of the MOSAIC cushion allows you to sink comfortably into it and shapes to the unique contours of your body. Available in an expanded range of sizes to better fit your seating surface, MOSAIC provides basic preventative skin and soft tissue protection at an affordable price.

DIMENSIONS

Width: 16.25 in. to 20.25 in. / 41.5 cm to 51.5 cm
 Depth: 16.25 in. to 18.25 in. / 41.5 cm to 46.5 cm
 Height: Approx. 2.25 in. to 3 in. / 6.5 cm to 7.5 cm

LIMITED WARRANTY

Cushion: 12 months

WEIGHT LIMIT

315 lbs. / 143 kg

MEDICARE CODES

E2601



LTV® Seat Cushion

The LTV is a nonmedical cushion application for anyone who sits for extended periods of time. Lightweight and foldable, it delivers unmatched comfort and convenience.

The interconnected cells transfer air from chamber to chamber as you shift your weight to distribute pressure across the cushion.

The LTV cushion has two cover options—Quilted Fabric or ULTRA LEATHER®.

DIMENSIONS

Width: 18 in. / 45.5 cm
 Depth: 16 in. / 40.5 cm
 Height: 1 in. to 2 in. / 2.5 cm to 5.5 cm
 Weight: 1 lbs. / 0.2 kg

LIMITED WARRANTY

Cushion: 12 months



Specialty Products

Of course, the risks to your health don't go away if you're out of your wheelchair. Pressure injuries and discomfort can happen anywhere.

That's why Permobil has developed innovative products to keep you protected, wherever you go.

Toilet Seat Cushion

Shower/Commode Cushion

HEAL PAD® Cushion

Lumbar Support Cushion

ADAPTOR® PAD

MINI-MAX® Cushion



Toilet Seat Cushion

The adjustable, air-filled cellular neoprene surface is designed for short-term use on toilets and portable bedside commodes. It snaps easily into place and is easy to clean and disinfect.

- Quickly snaps into place
- Adjustable
- Easy to clean and disinfect

DIMENSIONS

Width: 7.75 in. / 20 cm
 Depth: 15.75 in. / 40 cm
 Height: 2.25 in. / 5.5 cm
 Weight: 1.25 lbs. / 0.5 kg

LIMITED WARRANTY

24 months

WEIGHT LIMIT

No weight limit



HEAL PAD® Cushion

Place your foot in an adjustable, therapeutic environment that reduces shear and friction on your heel. By supporting the most high-risk pressure points, the pad protects you from injury and facilitates healing.

- Available in singles and pairs

DIMENSIONS

Width: 11.5 in. / 29.5 cm
 Depth: 12.5 in. / 31.5 cm
 Height: 1.5 in. / 4 cm
 Weight: 0.75 lbs. / 0.9 kg

LIMITED WARRANTY

24 months



Shower/Commode Cushion

Using ROHO's exclusive DRY FLOATATION® Technology, the adjustable, air-filled Shower/Commode cushion provides much-needed cushioning and protection for bedside commodes and shower wheelchairs. Designed for use without a cover, the cushion is easy to clean and disinfect.

- Easy to clean and disinfect

DIMENSIONS

Width: 14.75 in. to 18.25 in. / 37.5 cm to 46.5 cm
 Depth: 14.75 in. to 18.25 in. / 37.5 cm to 46.5 cm
 Height: 2.25 in. / 5.5 cm
 Weight: 1.5 lbs. / 0.7 kg

LIMITED WARRANTY

24 months

WEIGHT LIMIT

24 months



Lumbar Support Cushion

Supporting the lumbar spine, the adjustable cushion uses DRY FLOATATION® Technology for positioning and skin and soft tissue protection. Easily installed using the included hook-and-loop fasteners, it can be used in your wheelchair, recliner or office wheelchair.

DIMENSIONS

Width: 15.25 in. / 39 cm
 Depth: 6.5 in. / 16 cm
 Height: 4.25 in. / 10.5 cm
 Weight: 1 lb. / 0.5 kg

LIMITED WARRANTY

24 months



ADAPTOR® PAD

Turn any flat or contoured surface into a cushioned, protective environment. The air cells are not linked; it's designed to protect other pressure points. It can be cut to fit armrests, trays, footrests or anywhere protection is needed.

- Individually sealed air cells
- Can be cut to size
- Absorbs shock

DIMENSIONS

Width: 9.75 in. / 25 cm
Depth: 13.5 in. / 34 cm
Height: 1 in. / 2 cm
Weight: 0.5 lbs. / 0.2 kg

LIMITED WARRANTY

24 months

WEIGHT LIMIT

No weight limit



MINI-MAX® Cushion

Designed for short-term use during recreational and sport activities, bathing, traveling, etc. Provides shock and impact absorption, as well as skin protection. The air-filled cells are fully adjustable.

- Comfortable

DIMENSIONS

Width: 15 in. to 18.25 in.
38.5 cm to 46.5 cm
Depth: 14.75 in. to 16 in.
37.5 cm to 40.5 cm
Height: 1.25 in. / 3 cm
Weight: 2 lbs. / 0.9 kg

LIMITED WARRANTY

Cushion: 24 months
Cover: 6 months

WEIGHT LIMIT

No weight limit

STILL LOOKING FOR THE RIGHT CUSHION FOR YOU?

We never underestimate the importance of finding the perfect fit.

Visit permobilus.com to:

- Locate a dealer near you
- Find more detailed product information
- Learn more about the clinical evidence and technology supporting the development of ROHO products
- Watch how-to videos

Our Customer Support department is also standing by to help you find the support you need. Contact us at (800) 851-3449 or (618) 277-9150. Customer Support can also be reached by email at orders.roho@permobilus.com.

WHEELCHAIR BACK SYSTEMS

AGILITY® Wheelchair Back Systems are designed to fit you and your unique needs. And even better, they fit virtually any wheelchair.

ROHO AGILITY® Series

ROHO AGILITY® Custom Back Systems

ROHO AGILITY® CARBON Back Systems



AGILITY® Series

No matter where you go, your AGILITY Back will stay in position. Lightweight and durable, the shell's aircraft-grade aluminum and AIR FLOATATION insert provide stability, protection and comfort all in one.

AGILITY Max Contour Back System

AGILITY Mid Contour Back System

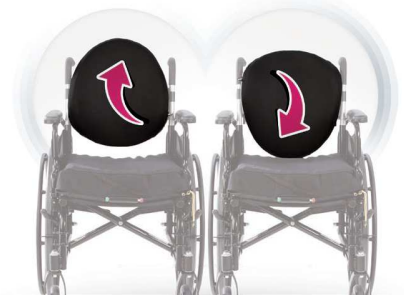
AGILITY Minimum Contour Back System

AGILITY Custom Back System



ROHO AIR FLOATATION™ Technology

ROHO AGILITY backs are lightweight and designed to conform to the user's body. AGILITY backs integrate ROHO's AIR FLOATATION Technology. The air insert is fully adjustable and can be tailored to your comfort level and postural needs.



Flip-a-bility

- Adaptable to fit varying body shapes
- Can be flipped to accommodate wider torsos or broader shoulders
- Full range of angle, depth, width and vertical adjustment capabilities are available to address specific positioning needs

AGILITY® Hardware

AGILITY backs are available with two adjustable hardware attachment options and one nonadjustable hardware option. Quick release and fixed hardware can be adjusted the same way once installed.



QUICK RELEASE

Quick release hardware makes removal for transport or storage a snap, even for those with limited hand dexterity. Simply unlock and lift by the handle.



FIXED

Fixed hardware is ideal for those who rarely need to remove their backs and want a streamlined mounting option.



DIRECT MOUNT

Direct mount hardware is exclusively for Permobil Power Wheelchairs* and is compatible with the AGILITY Aluminum Series.

*Attaches to compatible Permobil Power Wheelchairs that have third-generation Corpus Seating and a weight limit under 300 lbs.

The AGILITY quick release and fixed hardware are made from Zytel®, a product of DuPont™, which provides an excellent strength-to-weight ratio. Zytel is valued for its high mechanical strength and abrasion resistance, as well as chemical and flame-resistant properties.

The quick release and fixed hardware exhibited no damage and did not move out of position when aggressively subjected to 300 pounds of force exerted for 100,000 cycles. AGILITY sustained over 1,000 times more cycles than its leading competitor.



AGILITY Max

Contour Back System

The AGILITY Max provides significant posterior and lateral trunk support for optimal posture and stability.

It is the only deep contour back with independent, adjustable, lateral air pads for better positioning and increased comfort.

OPTIONS:

- Foam with Air Insert
- Foam with Air Insert and Lumbar Support

DIMENSIONS

Width: 13 in. to 20 in. /
33 cm to 51 cm
Depth with Air Insert: 7 in. / 18 cm
Height: 16 in. to 20 in. /
40.5 cm to 51 cm
Weight: 4.25 lbs. to 6.5 lbs. /
2.0 kg to 3.0 kg

LIMITED WARRANTY

Back Shell & Hardware: 5 years
Air Insert: 18 months
Cover & Foam: 18 months
Custom Air Insert: 36 months

WEIGHT LIMIT

300 lbs. / 136 kg

MEDICARE CODES

E2615, E2620



AGILITY Mid

Contour Back System

The AGILITY MID provides posterior trunk support and moderate lateral support.

As with all AGILITY Back models, the system is easily installed and adjusted. Height, depth and angle adjustments can be made while you are still in your wheelchair.

OPTIONS:

- Foam with Air Insert
- Foam with Air Insert and Lumbar Support

DIMENSIONS

Width: 13 in. to 20 in. /
33 cm to 51 cm
Depth: 4 in. / 10 cm
Height: 10 in. to 20 in. /
25.5 cm to 51 cm
Weight: 2.5 lbs. to 6 lbs. /
1.1 kg to 2.8 kg

LIMITED WARRANTY

Back Shell & Hardware: 5 years
Air Insert: 36 months
Cover & Foam: 18 months
Custom Air Insert: 36 months

WEIGHT LIMIT

300 lbs. / 136 kg

MEDICARE CODES

E2615, E2620



AGILITY Minimum

Contour Back System

The AGILITY Minimum provides basic postural support in a durable, comfortable package.

While you are in your wheelchair, you can adjust your AGILITY Back height up to 4 in. (10 cm) and your depth up to 1 in. (2.5 cm). You can also get up to 15 degrees of anterior or posterior tilt.

OPTIONS:

- Foam Only
- Foam with Lumbar Support
- Foam with Air Insert
- Foam with Air Insert and Lumbar Support

DIMENSIONS

Width: 13 in. to 20 in. /
33 cm to 51 cm
Depth: Foam: 2.5 in / 6.5 cm
Foam/Air: 3 in. / 7.5 cm
Height: 10 in. to 18 in. /
25.5 cm to 45.5 cm
Weight: 2.5 lbs. to 5.25 lbs. /
1.1 kg to 2.3 kg

LIMITED WARRANTY

Back Shell & Hardware: 5 years
Air Insert: 18 months
Cover & Foam: 18 months
Custom Air Insert: 36 months

WEIGHT LIMIT

300 lbs. / 136 kg

MEDICARE CODES

E2611, E2613, E2615, E2620



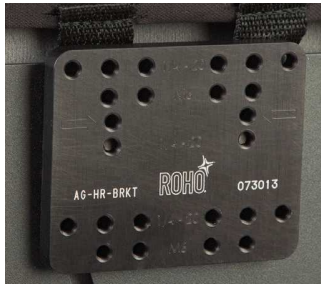
AGILITY Laterals

Designed to provide additional trunk support and positioning for individuals. Fits all sizes of AGILITY™ Minimum Contour and AGILITY™ Mid Contour Back Systems.

Available in swing-away and fixed brackets with flush or offset mounts.

- Swing-away brackets come with curved base with foam pad and cover.
- Fixed brackets come with flat base with foam pad and cover.

Order in singles to allow combination of one fixed and one swing-away, which allows individuals to use the swing-away lateral on their transfer side for easier transfers.



Agility Headrest Adapter Plate

Compatible with OEM headrests with the center bolt spacing of:

- 1/4"- 20 Thread: 1", 7/8", 2" and 3" horizontally 2" vertically
- M6 (1.0) Thread: 1", and 2" horizontally and 2" vertically

The purpose of this product is to allow additional headrests from other DME manufacturers to work with our AGILITY Back.



AGILITY Custom Back System

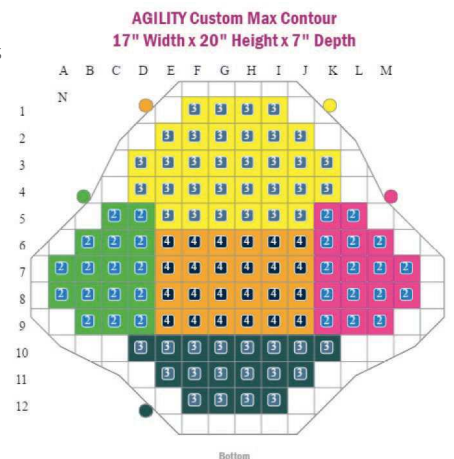
You're unique – and your ROHO AGILITY Back can be too. Our customization process will select exactly the right sizes and components to fit your body shape and postural support needs.

AGILITY Custom backs fit all shell sizes and are available in variable combinations of DRY FLOATATION® Technology air cell heights to meet your specific needs for comfort, support and posture. Add multiple- or single-valve options for air flow control and additional positioning support.

- Customize number of valves and compartments
- Customize cell heights:
 - 1.25 in. / 3 cm
 - 2.25 in. / 5.5 cm
 - 3.25 in. / 8.5 cm
 - 4.25 in. / 10.5 cm
- Eliminate cells and sections

LIMITED WARRANTY
 Back Shell & Hardware: 5 years
 Air Insert: 36 months
 Cover & Foam: 18 months

MEDICARE CODES
 E2617





AGILITY CARBON™ Back System

The lightweight carbon fiber construction of the AGILITY CARBON Series combines high-strength performance with a leading-edge design.

It's precision crafted, and it really does look as good as it feels. It is made to move you. The AGILITY CARBON's single, integrated clamps are clean and simple – while remaining smaller, lighter and stronger than most other fixed backs. Every AGILITY CARBON series marries the stability of carbon with ROHO's exclusive AIR FLOATATION Technology.

- Flippable
- Adjustable AIR FLOATATION insert
- Strong yet lightweight construction
- Durable

The innovative carbon fiber shell is compression molded to provide strength without bulk.

The shell can be flipped to accommodate each individual's body type, all while maintaining a higher degree of comfort. With just a single clamp on either side, the AGILITY CARBON's integrated hardware maintains a clean appearance while remaining smaller, lighter and stronger than most fixed back hardware.



OPTIONS:

- Foam with Air Insert
- The adjustment disks lock the back in place but still allow for up to 15 degrees of frontward and rearward adjustment



AGILITY CARBON Minimum Contour Back System

DIMENSIONS

Width: 13.75 in. to 18.75 in. /
34.9 cm to 47.6 cm
Depth: 3 in. / 7.5 cm
Height: 10 in. to 16 in. /
25.5 cm to 40.5 cm
Weight: 1.75 lbs. / .815 kg
Based on 14 in. x 10 in. /
35.5 cm x 25.5 cm (weight ranges
include hardware)

LIMITED WARRANTY

Back Shell & Hardware: 36 months
Foam & Cover Components: 18 months
Urethane Inserts: 18 months

WEIGHT LIMIT

265 lbs. / 120.2 kg

MEDICARE CODES

E2620 Plus Carbon Upgrade



AGILITY CARBON Mid Contour Back System

DIMENSIONS

Width: 13.75 in. to 18.75 in. /
34.9 cm to 47.6 cm
Depth: 4 in. / 10 cm
Height: 10 in. to 16 in. /
25.5 cm to 40.5 cm
Weight: 1.75 lbs. / 0.815 kg
Based on 14 in. x 10 in.
35.5 cm x 25.5 cm (weight ranges
include hardware)

LIMITED WARRANTY

Back Shell & Hardware: 36 months
Foam & Cover Components: 18 months
Urethane Inserts: 18 months

WEIGHT LIMIT

265 lbs. / 120.2 kg

MEDICARE CODES

E2620 Plus Carbon Upgrade

Measurement Instructions

Read the measurements in this brochure and in the product documentation at permobilus.com.



CUSHION HEIGHT

The height of a normal inflated cushion without load and without possible edging or seat shell.

These measurements may also be found in the product descriptions and on product labels.



CUSHION WIDTH

Cushion width measured from edge to edge without load.

These measurements may also be found in the product descriptions and on product labels.



CUSHION DEPTH

Cushion depth measured from edge to edge without load.

These measurements may also be found in the product descriptions and on product labels.



SEAT WIDTH

The appropriate seat width for using the cushion.

See also "appropriate width" in the list of prices.

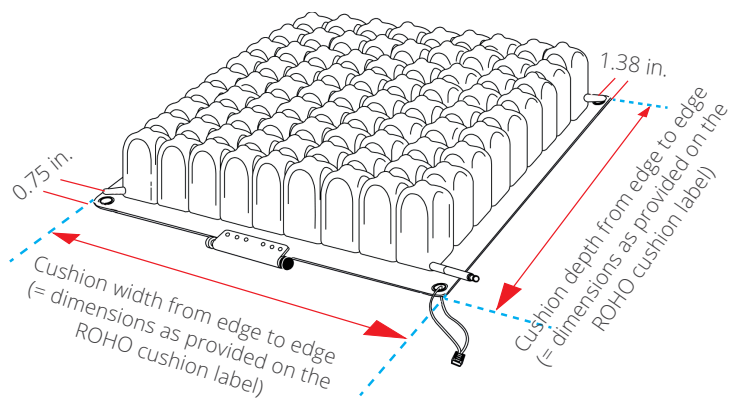


SEAT DEPTH

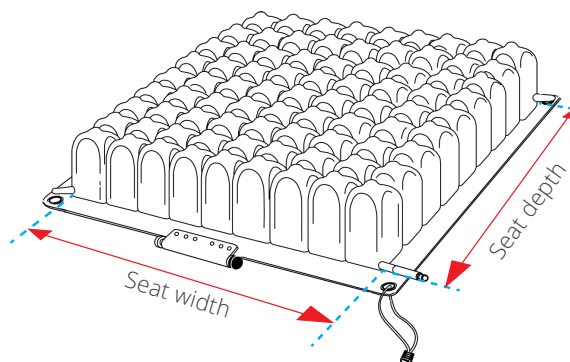
The appropriate seat depth for using the cushion.

See also "appropriate depth" in the list of prices.

CUSHION WIDTH AND DEPTH



SEAT WIDTH AND DEPTH



NOTE: Cushions with no weight limit must be sized correctly to the individual.

Select the correct size ROHO Cushion for your wheelchair:

Step 1 Measure the wheelchair seat width and depth.
 Note: Wheelchair manufacturers' published seat dimensions may vary.

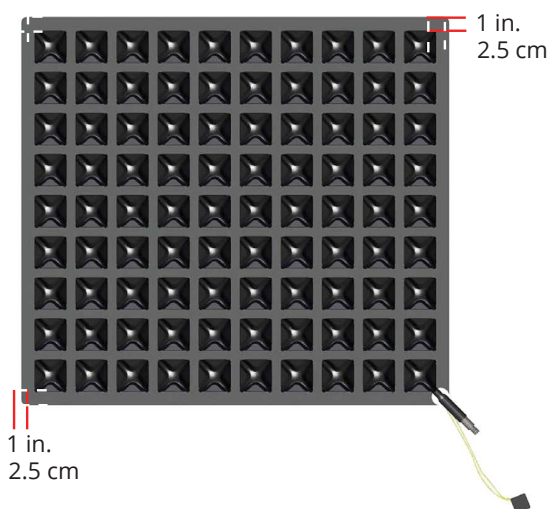
Step 2 Use your wheelchair seat dimensions and the below table to help you determine the number of cells in cushion width and in depth.

ROHO® NEOPRENE CUSHION SIZING CHART

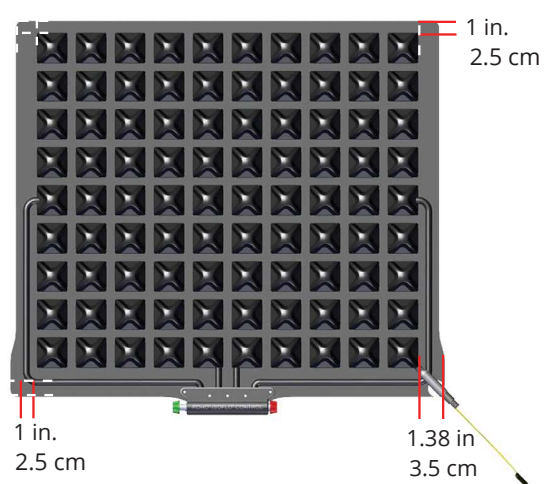
Fits wheelchair size (in. / cm)	Number of cells
10 / 22 to 26.5	5
11 to 12 / 26.5 to 31	6
13 / 31 to 35	7
14 to 15 / 35 to 39.5	8
16 to 17 / 39.5 to 44	9
18 to 19 / 44 to 48.5	10
20 to 21 / 48.5 to 52.5	11
22 / 52.5 to 57	12
23 to 24 / 57 to 61	13
25 / 61 to 65.5	14
26 to 27 / 65.5 to 70	15

Note: Availability of cushion sizes varies by model.

SINGLE COMPARTMENT CUSHIONS



SELECT SERIES CUSHIONS



Product Use and Maintenance

ROHO products are very user friendly and can be easily used and maintained.

A hand pump and operation manual are included with most ROHO products. The operation manual includes setup, care and cleaning instructions, as well as useful information regarding customer care and the product warranty.

Cleaning and Disinfecting

Cleaning and disinfecting are separate processes. Cleaning must precede disinfection.

Before use by a different individual, clean, disinfect and check the product for proper functioning.

For cleaning and disinfecting covers, foam bases or backrests, please see the operation manual for specific product instructions.

To Clean the Cushion: Remove the cover, close valve(s) and place in a large sink. Hand-wash using mild liquid hand soap, hand dish washing liquid, laundry detergent or a multipurpose detergent. (Follow the product label instructions.) Gently scrub all cushion surfaces using a soft plastic bristle brush, a sponge or a cloth. Rinse with clean water. Air dry. DO NOT expose to direct sunlight.

To Disinfect the Cushion: Repeat cleaning instructions, using 1 part household liquid bleach per 9 parts water. Keep the product wet with the bleach solution for 10 minutes. Rinse thoroughly with clean water. Air dry.

Note: Most germicidal disinfectants are safe if used following the disinfectant manufacturer's dilution directions.

Detailed information on cleaning and disinfecting for all ROHO products is available in the product operation manuals.

Disposal and Recycling

Disposal: The components of the products in this catalog are associated with no known environmental hazards when properly used and when disposed of in accordance with all local/regional regulations. Incineration must be performed by a qualified, licensed waste management facility.

Recycling: Contact a local recycling agency to determine recycling options for the product. For more recycling information, contact Permobil.

Returns

All returns require prior authorization from Permobil ROHO Seating and Positioning and are subject to a restocking charge. Before returning your product, contact our Customer Support department at (800) 851-3449 toll-free or (618) 277-9150 in the U.S. Outside the U.S., contact the nearest ROHO Seating and Positioning International Distributor. See our website (permobilus.com) for a current list of distributors.

Warranty Information

If you have questions regarding your ROHO product warranty, please contact our Customer Support department (800) 851-3449 toll-free or (618) 277-9150.

Outside the U.S., contact your country's Permobil ROHO Seating and Positioning distributor. For a current list of ROHO Seating and Positioning distributors, visit our website at permobilus.com, or contact 1-618-277-9150. For email orders, please contact orders.roho@permobilus.com.

Be advised that a charge will be assessed for any service provided for a product that does not qualify under the product's warranty.

Note: All seat cushions, except the ADAPTOR PAD include an inflation pump and repair kit. All ROHO products have operating instructions.

Note: All ROHO cushions and back systems mentioned in this catalog come with a cover except for the following: Shower/Commode Cushion, Toilet Seat Cushion, ADAPTOR® PAD, HEAL PAD® Cushion, and Lumbar Support.

Quality Management

ROHO, Inc., a division of Permobil, takes quality control much further than the FDA model, with its quality management system being certified to two ISO standards for over 10 years—ROHO, Inc.'s Quality Management System is certified to ISO 13485:2016.



EC STATEMENT

ROHO® medical products meet the standards and requirements mentioned below, which are controlled by independent institutions:

1. EN-ISO 10993-10 (1999-11) Irritation and sensitization tests (slow type).
2. EN 1021-1 and EN 1021-2 Assessment of ignitability for wheelchair cushions and backs.

ROHO, Inc.'s Quality Management System is currently certified to be in conformity with ISO 13485:2016.

All current ROHO medical products fall under Risk Class 1 Medical Devices.

Registered Trademarks


©2018 Permobil

Permobil has a policy of continual product improvement and reserves the right to amend this document. The current version of this document is available at permobilus.com.

The following are trademarks and registered trademarks of Permobil ROHO Seating and Positioning.: ADAPTOR®, AGILITY®, AGILITY CARBON™, AIR FLOATATION™, AirLITE®, CONTOUR SELECT®, DRY FLOATATION®, Yellow Rope®, ENHANCER®, HEAL PAD®, HIGH PROFILE®, Hybrid Elite®, Hybrid Elite SR™, ISOFLO Memory Control®, LTV®, LOW PROFILE®, MID PROFILE™, MINI-MAX®, MOSAIC®, nexus SPIRIT®, QUADTRO SELECT®, ROHO®, Shape Fitting Technology®, Sensor Ready™ and Smart Check®.

Therafin® is a registered trademark of the Therafin Corporation. Ultra Leather™ is a registered trademark of Ultra Fabrics, Inc. Zytel® is a registered trademark of DuPont™.

ORIGINAL ROHO PRODUCT: Watch for the ROHO logo, yellow rope and unique black ROHO air cells under the cover. If you see these features, you can be sure that you have an original ROHO product.



A life that touches others goes on forever.

In Memoriam
Russell Rodriguez
1973-2017

Every person has the right to have his or her disability compensated as far as possible by aids with the same technical standards as those we all use in our everyday lives.

— Dr. Per Uddén
Permobil Founder

permobil

permobilus.com |  Ph 800.851.3449 | Fax 618.277.6518

LITG02282 Rev. 4/18 Print 5/18