

Dahl Docking System

Revolutionary Docking System will set new standards for flexibility and safety!



Art. no.: 500562 - Dahl Docking System

Dahl Engineering's newly developed electric Docking System provides a hitherto unseen flexibility and safety for wheelchair users. The Docking System is the only system on the market that has been tested and TÜV certified in accordance with EU safety requirements for cars (M1) with an electric wheelchair which has a weight of 147 kg and integrated lap belt. In testing, the docking station has proved to be so strong that it can withstand a load corresponding to a wheelchair weight of more than 200 kg + passenger provided that the safety belt is installed in the traditional manner in the floor of the vehicle.



Art. no. 500562
Contents of a standard set.

With the lap belt mounted on the wheelchair, the various special safety belts that are used to secure the wheelchair user to the floor become redundant. This results in an uncluttered floor with plenty of space to manoeuvre the wheelchair into the docking station.



Easy to operate

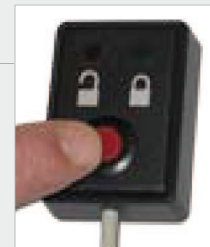


Mounting the lap belt on the wheelchair, thus avoiding the need to install it in the floor (which is the most common solution), provides hitherto unseen flexibility. If a wheelchair has an integrated lap belt, the user only has to be able to pull the shoulder belt down to the lap belt and secure it once the wheelchair is locked into the docking station.

We are happy to specify which wheelchair manufacturers have been tested and certified with integrated safety belts. Should your wheelchair not be among the certified models, we would be happy to work with the wheelchair manufacturer in question on the development of a solution.

For wheelchairs that are not certified with integrated safety belts, we have a wide range of ISO certified safety belts for installation in the traditional manner in the floor of the vehicle. Please refer to our full range of safety belts for wheelchair users.

The wheelchair is released by pressing the red button on the control panel.



A lock plate and a spacer must be fitted under the wheelchair. When the wheelchair is manoeuvred towards the docking station, it is guided into place by means of the lock plate and is secured automatically.



Dahl Docking System



Art. no. 500650
Seat base frame for the docking station



Easy to swap seats

A newly developed seat base frame means that the docking station can be used for either wheelchairs or car seats depending on what is required. It is easy to install the vehicle's original seat on the base frame, and it is easy to remove if the driver and passenger need to swap seats. The base frame is equipped with holes for the installation of seats such as an original VW T5 driver's seat, Dahl Sport, Recaro, König and Scheelmann.

The seat base frame, art. no. 500650, has been tested in accordance with EU directive 76/115-2005/4 and directive 74/408-2006/96 in a VW Transporter/Caravelle T5 and Mercedes Vito/Viano 639. We are in the process of developing a range of fully tested installation kits for more vehicles. Therefore please enquire with regard to the current range.

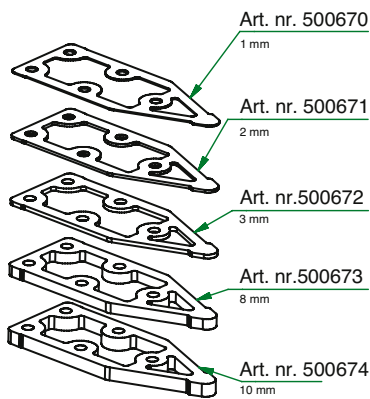


The seat base frame can be assembled in 36 different positions for optimum flexibility and comfort, thus allowing the seat height and angle to be adjusted.

The seat base frame has been tested with integrated belt anchoring points, which makes it possible to fit the vehicle's original safety belt buckles on both sides.

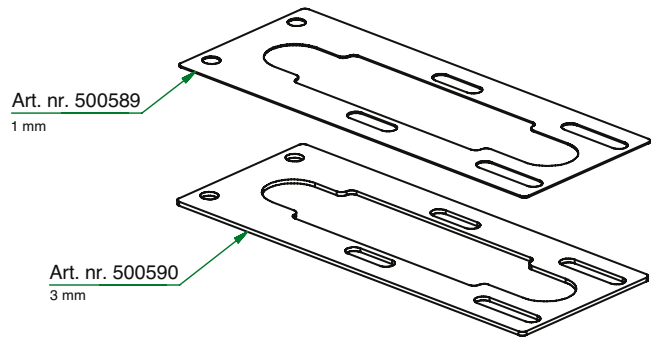
Accessories for Dahl Docking System

Spacers for height adjustment of the lock plate



Spacers for the Docking Station

We provide a range of accessories for height adjustment of the lock plate and Docking Station.



Manual operating lever

Art. no. 500687



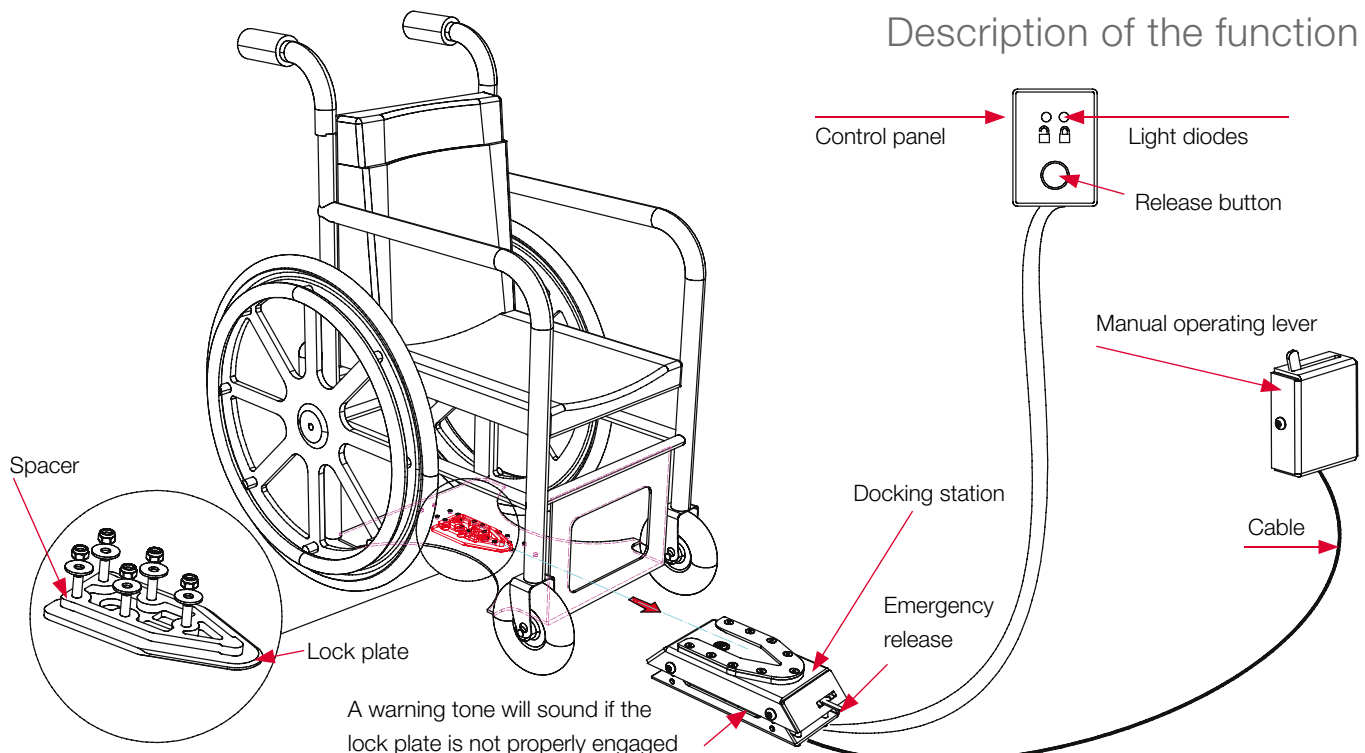
Cable for manual operating lever

Art. no. 500687



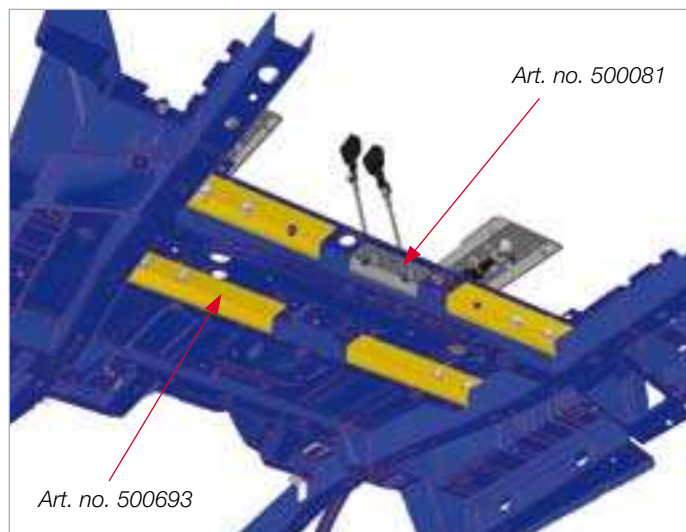
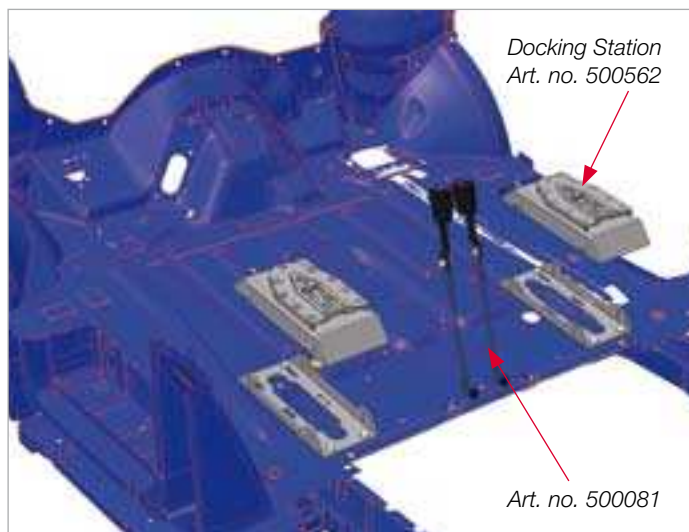
A cable-activated manual operating lever can be ordered as an extra accessory

Description of the function



Certified installation kits for Dahl Docking Station

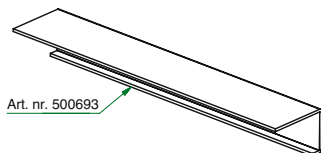
Example of a certified installation kit for a VW Transporter/Caravelle T5



Dahl's Docking Station is available with an installation kit which has been tested and TÜV certified in accordance with EU directives 76/115-2005/41 and 74/408-2006/96 (relating to the anchorage of seats and safety belts in motor vehicles).

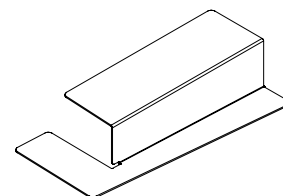
At the time of writing, certification is available for: VW Transporter/Caravelle T5 and Mercedes Vito/Viano 639. Installation kits are currently being developed for: Opel Vivaro, Renault Traffic, Mercedes Sprinter and VW Crafter.

Reinforcing cross member for VW Transporter/Caravelle T5



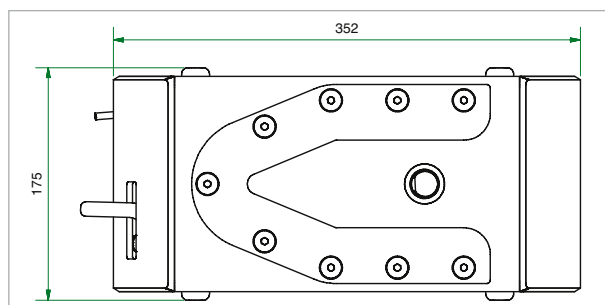
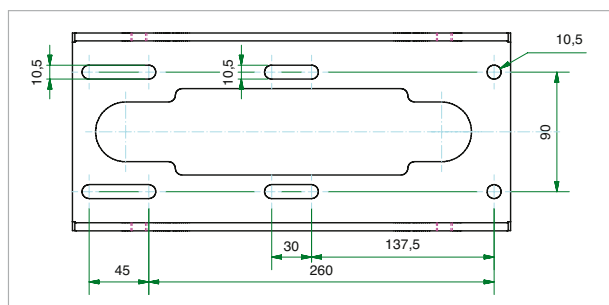
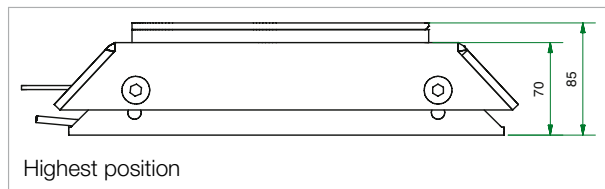
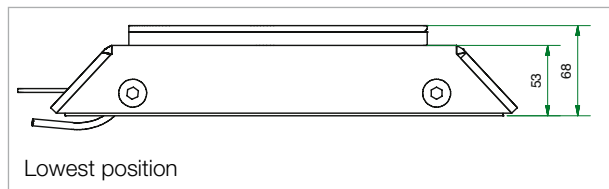
Reinforcing cross member for Mercedes Vito/Viano 639

For right side Art. no. 501013
For left side Art. no. 501014



We are in the process of developing a range of fully tested and TÜV certified installation kits for other vehicles. Please enquire with regard to the current range.

Scale drawing



In order to be able to adapt the docking station to the wheelchair's clearance to a better degree, the docking station can be installed at two heights: a low position or a high position.

Road safety should be for everyone – also for wheelchair users

The safety standards for restraint equipment for wheelchairs are not as strict as the safety requirements for other equipment used in motor vehicles.

According to the current ISO standard, restraint equipment only has to be able to withstand the load from a wheelchair with a weight of 85 kg. The anchorage of the restraint equipment in the bodywork of the vehicle does not have to be tested.

At Dahl Engineering, we think that these requirements are inadequate. What is the use in using a safety belt if a wheelchair weighs more than 85 kg and the wheelchair and its passenger are thrown through the cab because the restraint equipment and anchorage points in the vehicle's bodywork are torn loose during a collision? We also believe that docking stations should be tested with the wheelchairs with which they are to be used.

The safest and most thoroughly tested system on the market

Dahl's Docking Station is supplied with the most comprehensive documentation material on the market, and is the only universal system to be tested and TÜV certified in a vehicle with a wheelchair of 147 kg in which the lap belt is integrated into the wheelchair.

Dahl Engineering has specialised in being able to provide restraint equipment for wheelchair users that satisfies the strict EU M1 safety requirements for cars in accordance with EU directives 76/115-2005/41 and 74/408-2006/96 (relating to the anchorage of seats and safety belts in motor vehicles) where this is possible – with due consideration of the design and function of the aid and appliance concerned.



ISO 10542



EU directive 72/245-2006/28



EU directive 74/408-2006/96

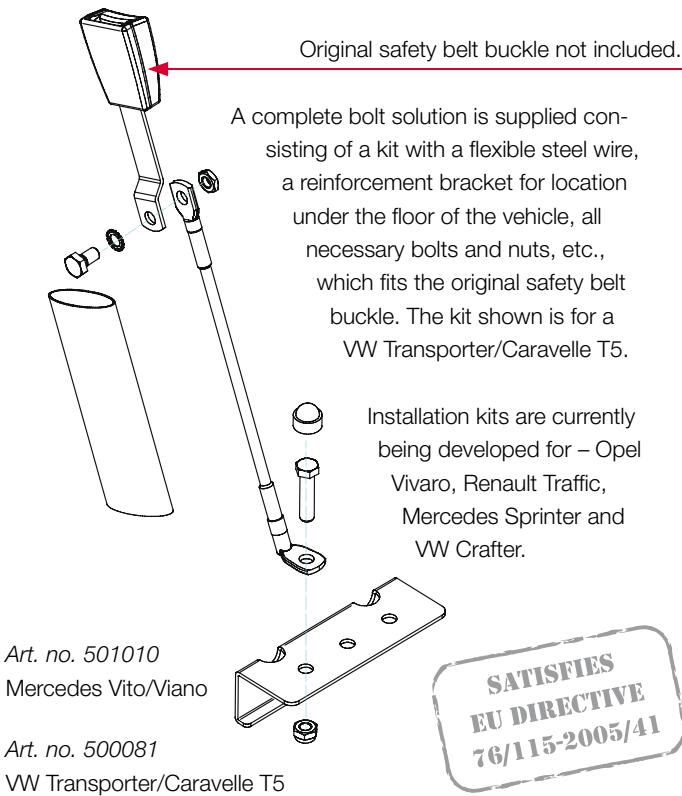


EU directive 76/115-2005/41

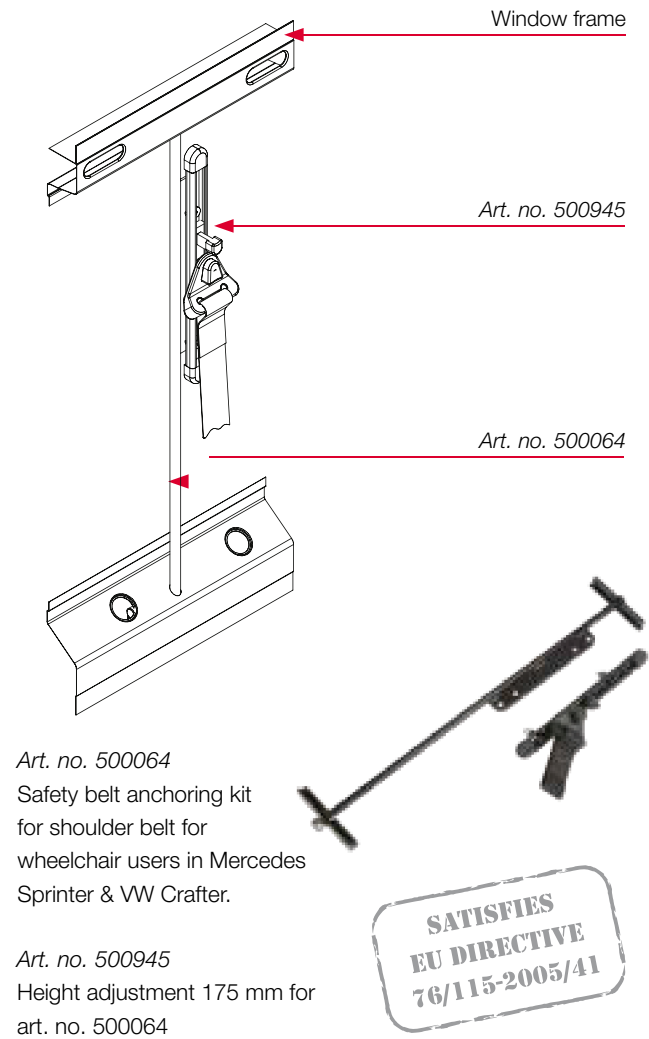
Certified safety belt anchoring kits for wheelchair users

Safety belt anchoring kits for wheelchair users

When installing a 6-way power base or wheelchair at the driver's or passenger's position in vehicles for disabled users, fitting the safety belt buckle can often be a problem after the original seat has been removed. The safety belt buckle is often built into the original driver's seat. Once this has been removed, there is no longer a certified anchorage point for the safety belt buckle.

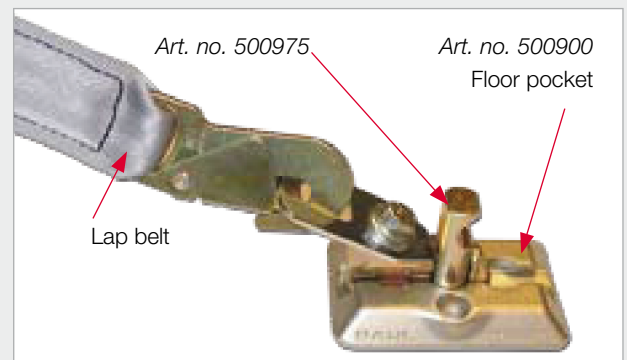


Anchoring kit for shoulder belt



Universal fitting

Universal fitting with bracket for securing of lap belts – see lap belts in the section on safety equipment for wheelchair users. The Universal fitting fits the Dahl floor pocket and floor rails with air-line hole pattern.

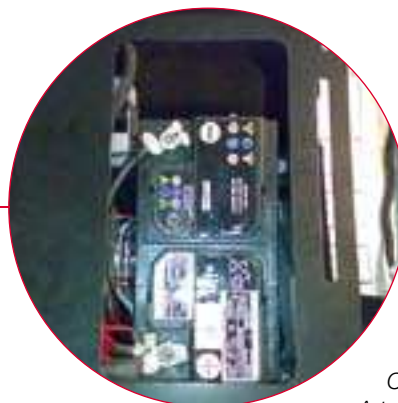


The above illustration shows how the lap belt's snap hook is secured. Dahl Universal fitting and floor pocket are currently crash-tested in accordance with ISO 10542 and the tensile test in accordance with EU directive 76/115-2005/41 in Opel Vivaro and Renault Traffic. Please enquire about our current range.

Special consoles for original passenger seats



Within the console there is space for the original battery or other electrical components.



Console for VW Transporter/Caravelle T5
Art. no. 500990

Console for Mercedes Vito/Viano
Art. no. 501000

*Currently being developed for other makes and models.
Please enquire with regard to the current range.*

Base for original passenger seat, which provides approx. 10 cm more room for the feet when turning away from the driver's seat with a 6-way power base fitted.

- The original passenger seat with seat slides fits the holes in the console directly
- The console is certified with the safety belt buckle fitted on the original passenger seat.
- We supply a complete bolted solution which means that it is not necessary to cut, weld or drill in the floor of the vehicle in order to install the console.



Art. no. 500990

Seat slides

Art. no. 500925

Seat slides with 160 mm length adjustment



Universal lumbar support

Art. no. 500932

Inflatable lumbar support with mounting bag for rapid and straightforward fitting.

