

### PRODUCT DATASHEET

## BLUE WAYUP 3 STAND UP LIFT

### MECHANICAL & ELECTRICAL OPENING LEGS 2 PARTS

#### DESCRIPTION :



- Steel frames
- Laser-cut and bent sheet metal, tubes and sections
- Baked epoxy paint
- Ball-bearing wheels
- Total weight mechanical leg spread : 32 kg
- Total weight electrical leg spread : 35 kg
- Top part weight: 16,40 kg (with axis and 2 knobs)
- Weight of the elec base: 18.60 kg (with axis and two wheels)
- Maximum load: 150 kg
- Product life: 8 years\* (excluding electrical part) \* Subject to regular maintenance
- Lithium battery: 2 years warranty
- Lead battery: 1 year warranty

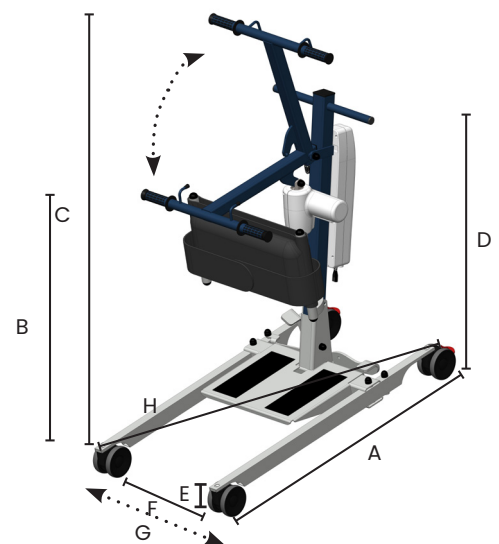
- Medical devices (Regulation (EU) 2017/745)
- Electromagnetic compatibility
- Compliance with the following standards :
  - NF EN 60601-1 : A1/2013
  - NF EN 60601-1-2 : 2015
  - NF EN ISO 10535 : 2021
- 24V low-voltage DC motor
- Power 24 V/120 VA
- Maximum thrust force: 6,000 N
- Maximum thrust force foot spreader: 3,000 N- Electronic overload protection
- Protection class: II
- Type of protection: IP X4
- Contactor limit switches
- ABS housing
- Remote control with spiral cable, low voltage 24V = overload protection with thermo-switches
- Overload protection by thermal switch
- Sound level : 60 dB à 1 m

#### MOTOR TECHNICAL FEATURES :

- Control box with built-in battery
- Battery life indicator light
- Power cable
- Emergency stop button
- 2-function remote control IPX4 protection (ECP mecha version)
- 4-function remote control IPX4 protection (ECP elec version)
- Emergency lowering: electric and manual
- Mains cable connection for battery charging

#### DIMENSIONS :

- A.** Total length: 100 cm
- B.** Minimum useful height: 74.5 cm
- C.** Maximum useful height: 117 cm
- D.** Total height: 99 cm
- E.** Frame height: 11.5 cm
- F.** Largeur embase mini : 57 cm
- G.** Max. base width: mechanical leg spread: 81 cm / electrical leg spread: 80 cm
- H.** Turning diameter: 112 cm



#### STORAGE :

To save space in your warehouses, we can make your appliance more compact for storage. Please follow the instructions below :

- Use the remote control to raise the arm of your lift by about 5 cm
- Loosen the retaining screw and lower the mast of your lift toward the ground.



- Insert a sheet of paper or cardboard between the footrest and the shin support so that the non-slip surface of the footrest does not damage the fabric of the shin support.
- Pass the Velcro strap of your shin support under the footrest so that the device remains closed when stored upright



Terms of validity :

The data in this product data sheet is valid at the issuing date. Any product upgrade does not systematically requires a product data sheet change if the fundamental characteristics of the product remain unchanged.